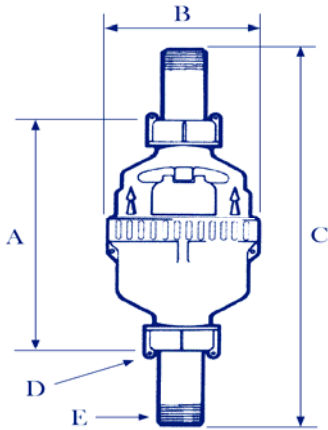


## KENT (ELSTER) WATER METERS

### V110 (KSM)

#### VOLUMETRIC COLD WATER METER KENT CLASS



#### Part No. V110 (KSM)

#### PLASTIC BODY WITH BSP THREADED CONNECTIONS

#### FOR WATER WITH AGGRESSIVE OR DEZINCIFICATION PROPERTIES

The Kent V110 (KSM) is designed for the measurement of cold potable water and offers accuracy, long maintenance-free life and is tamper resistant.

This meter operates on the volumetric rotary piston measurement principle and can achieve the highest levels of reading accuracy even at the lowest flow rate. The meter can be installed in any position maintaining optimum performance with no loss of accuracy.

Meter stoppages are substantially reduced, durability enhanced and performance improved as a result of a uniquely-designed grooved piston within the meter measuring chamber, increasing application flexibility.

Valuable management information can be obtained with the aid of a volt-free pulser unit (available separately)\*. This provides output signals for interrogation by externally powered reading devices and can be attached to previously installed Kent meters at any time without interrupting the water supply.

\* Only available on sizes DN15 & DN20

SIZE	A	B	C	D BSP	E BSP
DN15	115	99	200	3/4	1/2
DN20	165	99	267	1	3/4
DN25	199	114	312	1 1/4	1

#### Features & Benefits

- Specifications to Kent Class.
- Tamper resistant construction.
- Fitted in any orientation.
- Grooved piston design.
- Easy to read counter.
- Leak-proof construction.
- Optional pulse output facility\*.

#### Pressure & Temperature

Pressure range:-  
DN15 up to 16 bar.  
DN20 & DN25 up to 10 bar.  
Temperature Range:-  
Up to 50°C.

#### KENT CLASS SPECIFICATIONS

	DN	15	20	25
MAX OVERLOAD FLOW RATE ±2%	m <sup>3</sup> /h	3	5	7
MAX CONTINUOUS FLOW RATE ±2%	m <sup>3</sup> /h	1.5	2.5	3.5
MIN CONTINUOUS FLOW RATE ±2%	l/h	22.5	37.5	52.5
MIN CONTINUOUS FLOW RATE ±5%	l/h	15	25	35
OUTPUT PULSE	litre/pulse	5/1	5/1	N/A