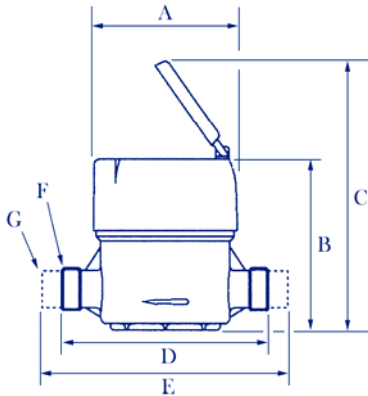


## KENT (ELSTER) WATER METERS

### V200

### IN-LINE TYPE COLD WATER METER



#### Part No. V200

#### BRASS BODY WITH IN-LINE BSP THREADED CONNECTIONS

The Kent V200 is designed to exceed ISO4064 Class D. It incorporates many advanced design features to improve metering accuracy across a wide range of flow rates, from dripping taps to water for showers, baths and washing machines, the V200 makes every drop count.

It is designed to give a long, trouble-free working life, with excellent features such as the proven grooved piston design. The action of this piston creates flow eddies in the grooves which hold solids in suspension until flushed out, reducing the possibility of meter stoppages.

#### Features & Benefits

- Performance to directive 2004/22/EC, EN14154, OIML R49 & ISO4064.
- Tamper resistant construction.
- Detection of very low flows.
- Optional pulse output facility.

#### Pressure & Temperature

Pressure range:-  
Up to 16 bar.

Temperature Range:-  
Up to 30°C.

SIZE	A	B	C	D	E	F BSP	G BSP
DN20	94	111	177	165	267	1	3/4
DN25	120	130	200	199	311	1 1/4	1
DN30	150	145	215	260	327	1 1/2	1 1/4
DN40	180	165	235	300	421	2	1 1/2

SPECIFICATIONS	DN	20	25	30	40
FLOW RANGE (Q3/Q1)	R	315	160	160	100
MINIMUM FLOW (Q1) ±5%	l/h	12.70	39.375	62.5	100
TRANSITIONAL FLOW (Q2) ±2%	l/h	20.32	63	100	160
PERMANENT FLOW (Q3) ±2%	m³/h	4	6.3	10	10
OVERLOAD FLOW (Q4) ±2%	m³/h	5	7.875	12.5	12.5
OUTPUT PULSE	litre/pulse	1/1	1/1	1/1	1/1

#### PR6 SELF POWERED INDUCTIVE PULSE TRANSMITTERS (SOLD SEPARATELY)

PR6 pulsers have outputs designed for every need. Each pulser has both primary and secondary outputs. The PR6 is fully compatible Emeris inductive pulse transmitter and with other ancillary devices including data loggers and AMR systems.

PR6 1:1	QN	1.5	2.5
Primary Output*	litre/pulse	1/1	1/1
Secondary Output	litre/pulse	1/1	1/1

PR6 SELF POWERED PULSE TRANSMITTER WIRING TABLE					
Yellow	White	Red	Green	Brown	Black
All Pulses	Dir Flag	Com Pulses	Comp Flag	Tamper	Common

Externally powered versions are also available, contact sales for further details.

PR6 is an open collector pulse transmitter suitable for data logging, AMR and telemetry equipment. Check with your equipment supplier for compatibility.