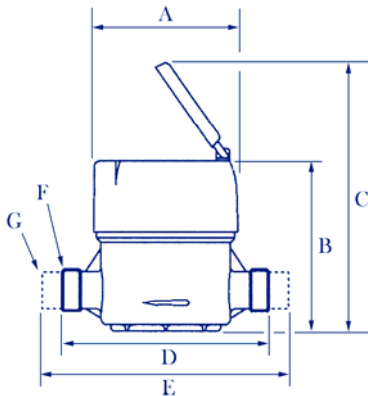


KENT (ELSTER) WATER METERS

V200P

MANIFOLD TYPE COLD WATER METER R400 FLOW RANGE



Part No. V200P

POLYMER BODY WITH IN-LINE BSP THREADED CONNECTIONS

The Kent V200P is designed to exceed ISO4064 Class D. It incorporates many advanced design features to improve metering accuracy across a wide range of flow rates, from dripping taps to water for showers, baths and washing machines, the V200P makes every drop count.

It is designed to give a long, trouble-free working life, with excellent features such as the proven grooved piston design. The action of this piston creates flow eddies in the grooves which hold solids in suspension until flushed out, reducing the possibility of meter stoppages.

Features & Benefits

- Performance to directive 2004/22/EC, EN14154, OIML R49 & ISO4064.
- Tamper resistant construction.
- Detection of very low flows.
- Optional pulse output facility.

Pressure & Temperature

Pressure range:-
Up to 16 bar.

Temperature Range:-
Up to 30°C.

SIZE	A	B	C	D	E	F BSP	G BSP
DN15	94	114	194	134	228	3/4	1/2

SPECIFICATIONS	RANGE (Q3/Q1)	R400
MINIMUM FLOW (Q1) ±5%	l/h	6.25
TRANSITIONAL FLOW (Q2) ±2%	l/h	10
PERMANENT FLOW (Q3) ±2%	m³/h	2.5
OVERLOAD FLOW (Q4) ±2%	m³/h	3.125
OUTPUT PULSE	litre/pulse	1/1

PR6 SELF POWERED INDUCTIVE PULSE TRANSMITTERS (SOLD SEPARATELY)

PR6 pulsers have outputs designed for every need. Each pulser has both primary and secondary outputs. The PR6 is fully compatible Emeris inductive pulse transmitter and with other ancillary devices including data loggers and AMR systems.

PR6 1:1	QN	1.5	2.5
Primary Output*	litre/pulse	1/1	1/1
Secondary Output	litre/pulse	1/1	1/1

PR6 SELF POWERED PULSE TRANSMITTER WIRING TABLE					
Yellow	White	Red	Green	Brown	Black
All Pulses	Dir Flag	Com Pulses	Comp Flag	Tamper	Common

Externally powered & built-in radio versions are also available, contact sales for further details.

PR6 is an open collector pulse transmitter suitable for data logging, AMR and telemetry equipment. Check with your equipment supplier for compatibility.