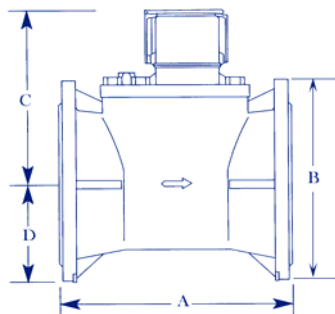


KENT (ELSTER) WATER METERS



H4300

WOLTMANN TYPE HOT WATER METER



Part No. H4300 (WPH)

CAST IRON BODY WITH FLANGE CONNECTIONS

The Kent H4300 (WPH) is a Woltmann-type horizontal vane hot water meter particularly suited to the high and sustained flows of bulk metering to a maximum temperature of 130°C.

A magnetic drive between the measuring element and counter reduces the number of working parts in contact with water and the corrosion and heat-resistant components guarantee excellent measuring properties, reliability and a long service life.

Pulsers designed for use with H4300 (WPH) meters offer a choice of outputs for a wide variety of applications including revenue billing, automatic meter reading, datalogging and process controls applications. Two types of pulser are available: opto-electronic and reed switch. Both are of durable design and construction and can easily be fitted on site without disturbing the calibration seal or interrupting the water supply.

SIZE	A	B	C	D
DN50	200	165	234	75
DN65	200	185	234	84
DN80	225	200	234	92
DN100	250	220	234	118
DN150	300	285	252	143
DN200	350	340	252	180

Features & Benefits

- Hermetically vacuum sealed dry dial register.
- Easy to read counter.
- Leak-proof construction.
- Optional pulse output facility.

Pressure & Temperature

Pressure range:-

Up to 16 bar.

Temperature Range:-

Up to 130°C.

SPECIFICATIONS	DN	50	65	80	100	150	200
MAX CONTINUOUS FLOW RATE $\pm 3\%$	m ³ /h	15	25	40	60	150	250
MIN CONTINUOUS FLOW RATE $\pm 3\%$	m ³ /h	2	3	4	6	20	20
MIN CONTINUOUS FLOW RATE $\pm 5\%$	m ³ /h	1	1.6	2	2.4	4	8
OUTPUT PULSE OPTION 1 (REED SWITCH)	litre/pulse	100/1	100/1	100/1	100/1	1000/1	1000/1
OUTPUT PULSE OPTION 2 (REED SWITCH)	litre/pulse	1000/1	1000/1	1000/1	1000/1	10000/1	10000/1
OUTPUT PULSE (OPTO SWITCH)	litre/pulse	1/1	1/1	1/1	1/1	10/1	10/1