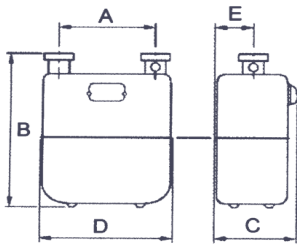


BK
Steel
Diaphragm Type
BSP Threaded



The Elster BK range of diaphragm meters are suitable for a wide range of domestic, commercial and industrial applications.

All meters are of steel construction with internal and external surfaces coated against corrosion, and are designed for natural, liquid petroleum and manufactured gases. The meters comply with the requirements of EN1359, and can be used for either primary or secondary metering.

Optional low frequency reed pulse output which can easily be fitted on site without disturbing the calibration seal or interrupting the gas supply.

Features & Benefits

- Requirements to EN1359
- Suitable for primary and secondary metering
- Swivel nuts for easy fixing.
- Corrosion resistant
- Optional pulse output facility

Pressure & Temperature

Maximum pressure:-
Up to 500 mbar.
Fireproof (HTB) up to 100 mbar

Temperature range
Gas -20°C to 50°C.
Ambient -30°C to 60°C.

MODEL	STANDARD	FLOW RANGE	ACCURACY	TURNDOWN
BK-G4 to BK-G25	EC 71/318	Qmin to 2 Qmin 2 Qmin to Qmax	+/- 3% +/- 2%	160 : 1
BK-G4 to BK-G25	OILM	Qmin to 0.1 Qmin 0.1 Qmax to Qmax	+/- 3% +/- 1.5%	160 : 1

MODEL	METER CONNECTION	OPTIONAL NUT & LINER	FLOW RANGE ACTUAL m³/h		DIMENSIONS					PULSE OUTPUT
			Qmin	Qmax	A	B	C	D	E	m³/pulse
BK-G4 (110)	1" BS746	3/4" BSPT	0.04	6	110	214	157	194	67	1/100
BK-G4 (152)	1" BS746	3/4" BSPT	0.04	6	152.4	262	163	226	71	1/100
BK-G6	* Special	1" BSPT	0.06	10	250	320	218	334	85	1/100
BK-G10	1 1/4" BS746	1 1/4" BSPT	0.1	16	152.4	341	219	264	100	1/10
BK-G16	2" BS746	2" BSPT	0.16	25	250	351	234	405	108	1/10
BK-G25	2" BS746	2" BSPT	0.25	40	280	420	289	465	138	1/10

* The BK-G6 meter comes with a European thread and is supplied with a nut & liner as standard

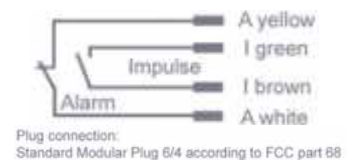
PRESSURE DROP (ΔP) WITH NATURAL GAS										
MODEL	Flow m³/h	ΔP mbar	Flow m³/h	ΔP mbar	Flow m³/h	ΔP mbar	Flow m³/h	ΔP mbar	Flow m³/h	ΔP mbar
BK-G4 (110)	1.2	0.5	2.4	0.5	3.6	0.7	4.8	1.0	6	1.4
BK-G4 (152)	1.2	0.3	2.4	0.3	3.6	0.4	4.8	0.7	6	1.0
BK-G6	2	0.3	4	0.4	6	0.6	8	0.8	10	1.1
BK-G10	3	0.3	6	0.3	10	0.4	13	0.7	16	1.0
BK-G16	5	0.3	10	0.4	15	0.6	20	1.2	25	1.9
BK-G25	8	0.3	16	0.3	24	0.5	32	1.0	40	1.6

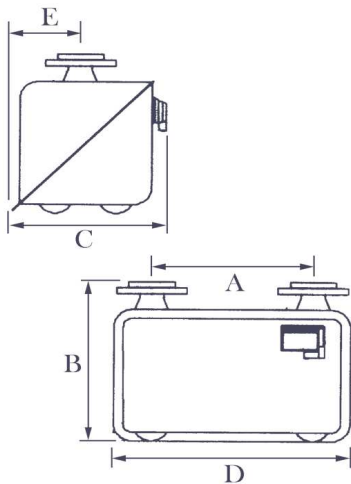
OPTIONAL IN-Z61 PULSE MODULE

The IN-Z61 is a retro-fittable pulse unit enabling it to be easily fitted on site without disturbing the calibration seal or interrupting the gas supply.



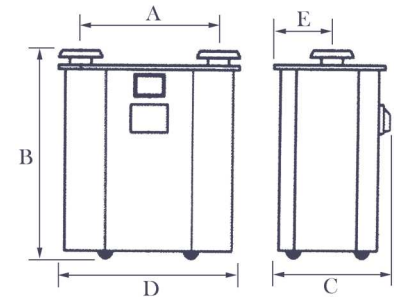
Voltage : Umax = 24V DC
Current : Imax = 50mA
Power : Pmax = 0.25 W
Closing Time : Tmin = 0.25 s
Resistance : Rmax = 0.5Ω (closed)





65mm & 80mm Fig BK

BK
Steel
Diaphragm Type
Flanged PN16



100mm Fig BK

The Elster BK range of diaphragm meters are suitable for a wide range of domestic, commercial and industrial applications.

All meters are of steel construction with internal and external surfaces coated against corrosion, and are designed for natural, liquid petroleum and manufactured gases. The meters comply with the requirements of EN1359, and can be used for either primary or secondary metering.

Meters can be fitted with a low frequency reed pulse output which can easily be fitted on site without disturbing the calibration seal or interrupting the gas supply.

Features & Benefits

- Requirements to EN1359
- Suitable for primary and secondary metering
- PN16 Drilling
- Corrosion resistant

Pressure & Temperature

Maximum pressure:-
Up to 500 mbar.
Fireproof (HTB) up to 100 mbar

Temperature range
Gas -20°C to 50°C.
Ambient -30°C to 60°C.

MODEL	STANDARD	FLOW RANGE	ACCURACY	TURNDOWN
BK-G40 to BK-G100	EC 71/318	Qmin to 2 Qmin 2 Qmin to Qmax	+/- 3% +/- 2%	160 : 1
BK-G40	OILM	Qmin to 0.1 Qmin 0.1 Qmax to Qmax	+/- 3% +/- 1.5%	160 : 1

MODEL	METER CONNECTION	FLOW RANGE ACTUAL m³/h		DIMENSIONS					PULSE OUTPUT m³/pulse
		Qmin	Qmax	A	B	C	D	E	
BK-G40	65mm PN16	0.40	65	335	470	392	564	175	1/10
BK-G65	80mm PN16	0.65	100	430	460	392	630	161	1/10
BK-G100	100mm PN16	1.00	160	430	605	571	740	280	1/1

PRESSURE DROP (ΔP) WITH NATURAL GAS											
MODEL	Flow m³/h	ΔP mbar	Flow m³/h	ΔP mbar	Flow m³/h	ΔP mbar	Flow m³/h	ΔP mbar	Flow m³/h	ΔP mbar	
BK-G40	13	0.3	26	0.4	39	0.7	52	1.0	65	1.6	
BK-G65	20	0.3	40	0.4	60	0.7	80	1.0	100	1.6	
BK-G100	32	0.3	64	0.4	96	0.6	128	1.0	160	1.6	

OPTIONAL IN-Z61 PULSE MODULE

The IN-Z61 is a retro-fittable pulse unit enabling it to be easily fitted on site without disturbing the calibration seal or interrupting the gas supply.



Voltage : Umax = 24V DC
Current : Imax = 50mA
Power : Pmax = 0.25 W
Closing Time : Tmin = 0.25 s
Resistance : Rmax = 0.5Ω (closed)

