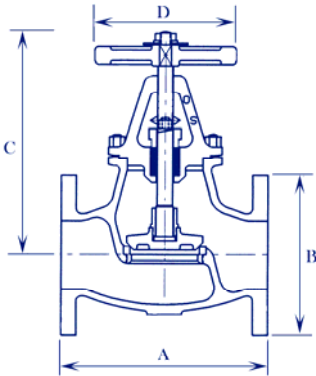


GLOBE VALVES

22

BRONZE BOLTED BONNET GLOBE VALVE



Part No. 22

BRONZE BODY WITH FLANGED CONNECTIONS

SIZE	DN15	DN20	DN25	DN32	DN40	DN50	DN65	DN80	DN100	DN125	DN150
A	108	117	127	146	159	191	216	254	305		
B	95	102	118	140	150	165	184	203	229	Contact sales office for dimensions	
C	166	166	194	200	207	236	243	264	324		
D	89	89	102	102	114	127	140	152	190		

Sizes above 100mm are available, contact sales for further details.

This robustly constructed bronze bolted cover globe valve are supplied with Lloyds approved 3.1 material certification and are ideally suited for primary isolation duty for shipside use.

The valve provides a leak tight-tight shut off with the capability of being used partially open to regulate flow.

Independent third party test and inspection by Lloyds can be arranged usually within 1 to 2 working days, to meet Lloyds 3.2 certification.

Features & Benefits

- Lloyds Approved.
- Marine style with open & shut indicator.
- Supplied with full material certification.
- Rising stem.
- Screw lift or SDNR pattern.

Pressure & Temperature

PN16 Rated

Contact sales team for full details on working pressure and temperatures.



Approved For Shipline
& Marine Boiler Duty

MATERIALS

Body	LG2 Bronze
Disc	LG2 Bronze
Spindle	Manganese Bronze
Bonnet	LG2 Bronze

Other Materials Available

LG4 Bronze
AB2 Ali-Bronze
AB4 Ali-Bronze
Stainless Steel Trim

**THIS PRODUCT IS GENERALLY HELD IN STOCK WITH FLANGES UNDRILLED TO
ENABLE US TO DRILL TO YOUR REQUIREMENTS**