

GLOBE VALVES

JV1002C

BRONZE PN16 RATED GLOBE VALVE



Part No. JV1002C

BRONZE BODY WITH BSP THREADED CONNECTIONS

BSP	3/8	1/2	3/4	1	1 1/4	1 1/2	2
A	45	50	60	70	85	90	110
B	75	85	95	105	118	130	145
C	50	50	50	60	70	80	80

An economical globe valve with a PTFE valve disc which is ideally suited for isolation duty, providing a leak-tight shut off with the capability of being used partially open to regulate flow.

Features & Benefits

- Rising stem.
- Screwed bonnet.
- PTFE valve disc.
- Flexible stem-disc coupling.

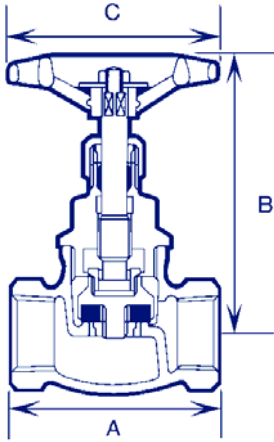
Pressure & Temperature

Pressure range:-
PN16 Rated

Temperature Range:-
16 bar @ 20°C.
12 bar @ 198°C.

MATERIALS

Body	Bronze
Bonnet	Brass
Stem	Brass
Disc	PTFE



GLOBE VALVES

JV1046

BRONZE SDNR GLOBE VALVE



Part No. JV1046

**BRONZE BODY WITH BSP THREADED CONNECTIONS
SCREW DOWN NON-RETURN PATTERN**

BSP	1/4	3/8	1/2	3/4	1	1 1/4	1 1/2	2	2 1/2	3
A	50	50	60	70	80	95	105	130	155	180
B	95	95	95	110	120	145	155	185	245	280
C	50	50	60	70	70	70	80	110	130	150

This screw down non-return, screwed bonnet globe valve with a PTFE valve disc offers leak tight isolation with the added advantage of preventing reverse flow through the valve.

Features & Benefits

- SDNR—Screw Down Non-Return.
- Screwed bonnet.
- PTFE valve disc.

Pressure & Temperature

Pressure range:-
PN16 Rated

Temperature Range:-
16 bar @ 20°C.
12 bar @ 198°C.

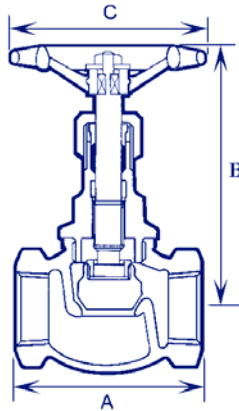
MATERIALS

Body	Bronze
Bonnet	Brass
Stem	Brass
Disc	PTFE

GLOBE VALVES

1031

PEGLER PN32 RATED GLOBE VALVE



Part No. 1031

BRONZE BODY WITH BSP THREADED CONNECTIONS

BSP	1/2	3/4	1	1 1/4	1 1/2	2
A	57	65	78	89	100	121
B	95	98	114	138	159	170
C	75	75	85	95	105	120

This robustly manufactured screwed bonnet globe valve with a metal valve disc is ideally suited for isolation duty, providing a leak-tight shut off with the capability of being used partially open to regulate flow.

Features & Benefits

- Specifications to BS5154 series B.
- Metal valve seat & disc.
- Screwed bonnet.
- Rising stem.

Pressure & Temperature

Pressure range:-
PN32 Rated

Temperature Range:-
32 bar @ 0°C to 100°C.
14 bar @ 198°C.

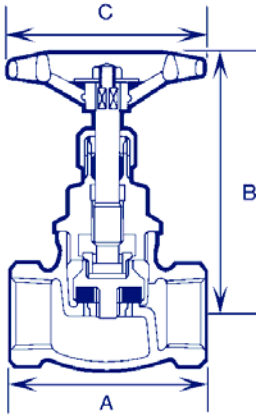
MATERIALS

Body	Bronze
Bonnet	Brass
Stem	Brass
Disc	Brass

GLOBE VALVES

1029

PEGLER RENEWABLE DISC GLOBE VALVE



Part No. 1029

BRONZE BODY WITH BSP THREADED CONNECTIONS

BSP	1/4	3/8	1/2	3/4	1	1 1/4	1 1/2	2
A	44	46	57	65	78	89	100	121
B	76	76	95	98	114	138	159	170
C	60	60	75	75	85	95	105	120

This robustly manufactured screwed bonnet globe valve with a PTFE valve disc is ideally suited for isolation duty, providing a leak-tight shut off with the capability of being used partially open to regulate flow.

Features & Benefits

- Specifications to BS5154 series B.
- Renewable PTFE valve disc.
- Screwed bonnet.
- Rising stem.

Pressure & Temperature

Pressure range:-
PN32 Rated

Temperature Range:-
32 bar @ 0°C to 100°C.
14 bar @ 198°C.

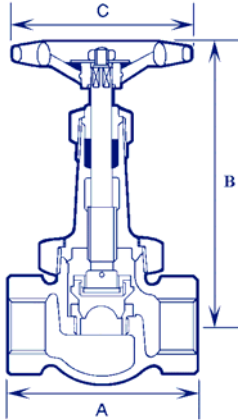
MATERIALS

Body	Bronze
Bonnet	Brass
Stem	Brass
Disc	PTFE

GLOBE VALVES

23

HATTERSLEY UNION BONNET GLOBE VALVE



Part No. 23

BRONZE BODY WITH BSP THREADED CONNECTIONS

BSP	1/2	3/4	1	1 1/4	1 1/2	2
A	73	89	108	121	130	157
B	127	146	170	202	222	252
C	80	85	105	120	140	155

This robustly manufactured union bonnet globe valve with a stainless steel seat and disc configuration is designed for higher pressure and temperature isolation duty, providing a leak-tight shut off with the capability of being used partially open to regulate flow.

Features & Benefits

- Stainless steel seat & disc.
- Union bonnet.
- Rising stem.

Pressure & Temperature

Pressure range:-
PN40 Rated

Temperature Range:-
40 bar @ -10°C to 176°C.
20 bar @ 260°C.

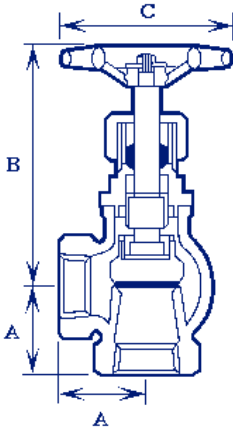
MATERIALS

Body	Bronze
Bonnet	Bronze
Stem	Manganese Bronze
Disc	Stainless Steel
Seat	Stainless Steel

GLOBE VALVES

JV1042

ANGLE PATTERN PN16 RATED GLOBE VALVE



Part No. JV1042

BRONZE BODY WITH BSP THREADED CONNECTIONS

BSP	1/2	3/4	1	1 1/4	1 1/2	2
A	32	40	46	51	58	61
B	95	115	120	135	140	165
C	60	70	70	70	80	110

An angle pattern, screwed bonnet globe valve with a PTFE valve disc, ideally suited for isolation duty, providing a leak-tight shut off with the capability of being used partially open to regulate flow.

Features & Benefits

- Angle pattern.
- PTFE valve disc.
- Screwed bonnet.
- Rising stem.

Pressure & Temperature

Pressure range:-
PN16 Rated

Temperature Range:-
-10°C to +90°C.

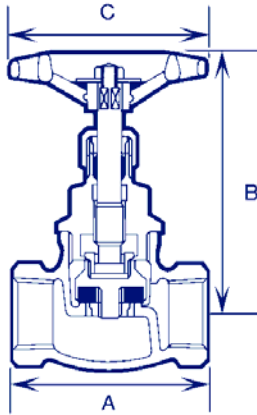
MATERIALS

Body	Bronze
Bonnet	Brass
Stem	Brass
Disc	PTFE

GLOBE VALVES

5N

HATTERSLY NEEDLE PATTERN GLOBE VALVE



Part No. 5N

BRONZE BODY WITH BSP THREADED CONNECTIONS

BSP	1/4	3/8	1/2	3/4	1
A	44	46	57	65	78
B	74	75	96	105	119
C	60	60	70	80	85

A robustly manufactured needle pattern globe valve, providing an effective means by which low to medium flow rates may be regulated.

Features & Benefits

- Specifications to BS5154 series B.
- Metal needle disc.
- Screwed bonnet.
- Rising stem.

Pressure & Temperature

Pressure range:-
PN32 Rated

Temperature Range:-
32 bar @ -10°C to 100°C.
14 bar @ 198°C.

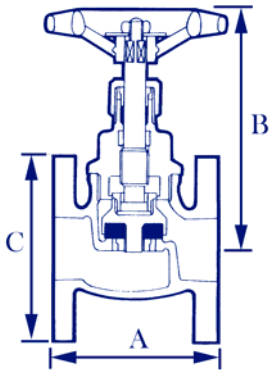
MATERIALS

Body	Bronze
Bonnet	Brass
Stem	Brass
Disc	Brass

GLOBE VALVES

JV1051

FLANGED PN16 RATED GLOBE VALVE



Part No. JV1051 BRONZE BODY WITH FLANGED CONNECTIONS

SIZE	DN15	DN20	DN25	DN32	DN40	DN50	DN65	DN80	DN100
A	70	90	98	110	130	150	190	210	220
B	76	93	110	120	130	160	230	250	280
C	95	105	115	140	150	165	185	200	220

An economical globe valve with a PTFE valve disc which is ideally suited for isolation duty, providing a leak-tight shut off with the capability of being used partially open to regulate flow.

Features & Benefits

- Rising stem.
- Screwed bonnet.
- PTFE valve disc.
- Flexible stem-disc coupling.

Pressure & Temperature

Pressure range:-
PN16 Rated

Temperature Range:-

Water/Steam/Air
-10°C to 150°C.

Gasolines
-10°C to 90°C.

MATERIALS

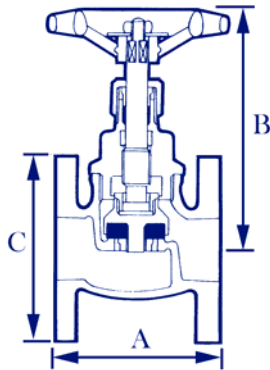
Body	Bronze
Bonnet	Brass
Stem	Brass
Disc	PTFE

**THIS PRODUCT IS GENERALLY HELD IN STOCK WITH FLANGES UNDRILLED TO
ENABLE US TO DRILL TO YOUR REQUIREMENTS**

GLOBE VALVES

JV1048

FLANGED SDNR GLOBE VALVE



Part No. JV1048

**BRONZE BODY WITH FLANGED CONNECTIONS
SCREW DOWN NON-RETURN PATTERN**

SIZE	DN15	DN20	DN25	DN32	DN40	DN50	DN65	DN80	DN100
A	70	90	98	110	130	150	190	210	220
B	76	93	110	120	130	160	230	250	280
C	95	105	115	140	150	165	185	200	220

This screw down non-return, screwed bonnet globe valve with a PTFE valve disc offers leak tight isolation with the added advantage of preventing reverse flow through the valve.

Features & Benefits

- SDNR—Screw Down Non-Return.
- Screwed bonnet.
- PTFE valve disc.

Pressure & Temperature

Pressure range:-
PN16 Rated

Temperature Range:-

Water/Steam/Air
-10°C to 150°C.

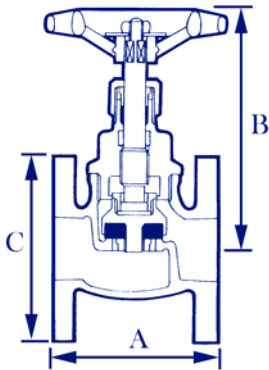
Gasolines
-10°C to 90°C.

MATERIALS

Body	Bronze
Bonnet	Brass
Stem	Brass
Disc	PTFE

**THIS PRODUCT IS GENERALLY HELD IN STOCK WITH FLANGES UNDRILLED TO
ENABLE US TO DRILL TO YOUR REQUIREMENTS**

GLOBE VALVES



17

HATTERSLEY RENEWABLE DISC GLOBE VALVE



Part No. 17

BRONZE BODY WITH FLANGED CONNECTIONS

SIZE	DN15	DN20	DN25	DN32	DN40	DN50
A	80	90	100	110	120	135
B	105	110	130	150	175	190
C	95	105	115	140	150	165

This robustly manufactured screwed bonnet globe valve with a PTFE valve disc is ideally suited for isolation duty, providing a leak-tight shut off with the capability of being used partially open to regulate flow.

Features & Benefits

- Specifications to BS5154 series B.
- Renewable PTFE valve disc.
- Screwed bonnet.
- Rising stem.

Pressure & Temperature

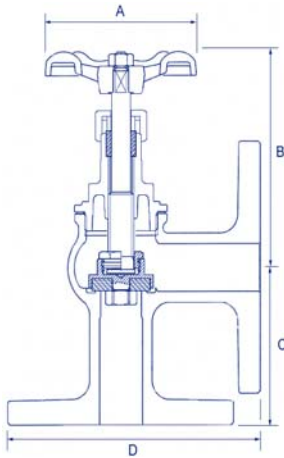
PN16 Rated

Contact sales team for full details on working pressure and temperatures.

MATERIALS

Body	Bronze
Bonnet	Brass
Stem	Brass
Disc	PTFE

**THIS PRODUCT IS GENERALLY HELD IN STOCK WITH FLANGES UNDRILLED TO
ENABLE US TO DRILL TO YOUR REQUIREMENTS**



GLOBE VALVES

JV1040

BRONZE ANGLE PATTERN GLOBE VALVE



Part No. JV1040

BRONZE BODY WITH FLANGED CONNECTIONS

SIZE	DN15	DN20	DN25	DN32	DN40	DN50	DN65	DN80	DN100
A	55	70	70	80	80	95	110	130	130
B	74	83	104	110	143	160	187	225	220
C	60	65	72	85	90	105	110	115	140
D	60	65	72	85	90	105	110	115	140

An economical angled pattern globe valve with a graphite valve disc which is ideally suited for isolation duty, providing a leak-tight shut off with the capability of being used partially open to regulate flow.

Features & Benefits

- Rising stem.
- Screwed bonnet.
- Graphite valve disc.

Pressure & Temperature

Pressure range:-
PN16 Rated

Temperature Range:-

Water/Steam/Air
-10°C to 150°C.

Gasolines
-10°C to 90°C.

MATERIALS

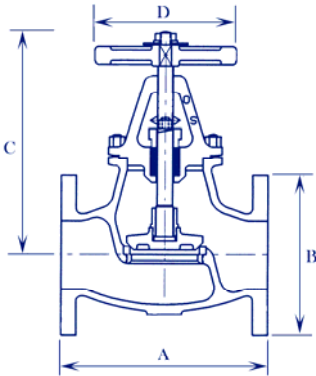
Body	Bronze
Bonnet	Brass
Stem	Brass
Disc	Graphite

**THIS PRODUCT IS GENERALLY HELD IN STOCK WITH FLANGES UNDRILLED TO
ENABLE US TO DRILL TO YOUR REQUIREMENTS**

GLOBE VALVES

22

BRONZE BOLTED BONNET GLOBE VALVE



Part No. 22

BRONZE BODY WITH FLANGED CONNECTIONS

SIZE	DN15	DN20	DN25	DN32	DN40	DN50	DN65	DN80	DN100	DN125	DN150
A	108	117	127	146	159	191	216	254	305		
B	95	102	118	140	150	165	184	203	229	Contact sales office for dimensions	
C	166	166	194	200	207	236	243	264	324		
D	89	89	102	102	114	127	140	152	190		

Sizes above 100mm are available, contact sales for further details.

This robustly constructed bronze bolted cover globe valve are supplied with Lloyds approved 3.1 material certification and are ideally suited for primary isolation duty for shipside use.

The valve provides a leak tight-tight shut off with the capability of being used partially open to regulate flow.

Independent third party test and inspection by Lloyds can be arranged usually within 1 to 2 working days, to meet Lloyds 3.2 certification.

Features & Benefits

- Lloyds Approved.
- Marine style with open & shut indicator.
- Supplied with full material certification.
- Rising stem.
- Screw lift or SDNR pattern.

Pressure & Temperature

PN16 Rated

Contact sales team for full details on working pressure and temperatures.



Approved For Shipline
& Marine Boiler Duty

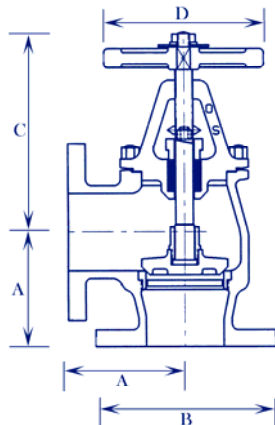
MATERIALS

Body	LG2 Bronze
Disc	LG2 Bronze
Spindle	Manganese Bronze
Bonnet	LG2 Bronze

Other Materials Available

LG4 Bronze
AB2 Ali-Bronze
AB4 Ali-Bronze
Stainless Steel Trim

**THIS PRODUCT IS GENERALLY HELD IN STOCK WITH FLANGES UNDRILLED TO
ENABLE US TO DRILL TO YOUR REQUIREMENTS**



GLOBE VALVES

22L

BRONZE ANGLE PATTERN GLOBE VALVE



Part No. 22L

BRONZE BODY WITH FLANGED CONNECTIONS

SIZE	DN15	DN20	DN25	DN32	DN40	DN50	DN65	DN80	DN100	DN125	DN150
A	70	75	85	95	100	115	125	135	146		
B	95	102	118	140	150	165	184	203	229	Contact sales office for dimensions	
C	158	158	177	185	188	210	218	236	298		
D	89	89	102	102	114	127	140	152	190		

Sizes above 100mm are available, contact sales for further details.

This robustly constructed bronze bolted cover globe valve are supplied with Lloyds approved 3.1 material certification and are ideally suited for primary isolation duty for shipside use.

The valve provides a leak tight-tight shut off with the capability of being used partially open to regulate flow.

Independent third party test and inspection by Lloyds can be arranged usually within 1 to 2 working days, to meet Lloyds 3.2 certification.

Features & Benefits

- Lloyds Approved.
- Marine style with open & shut indicator.
- Supplied with full material certification.
- Rising stem.
- Screw lift or SDNR pattern.

Pressure & Temperature

PN16 Rated

Contact sales team for full details on working pressure and temperatures.



Approved For Shipline
& Marine Boiler Duty

MATERIALS

Body	LG2 Bronze
Disc	LG2 Bronze
Spindle	Manganese Bronze
Bonnet	LG2 Bronze

Other Materials Available

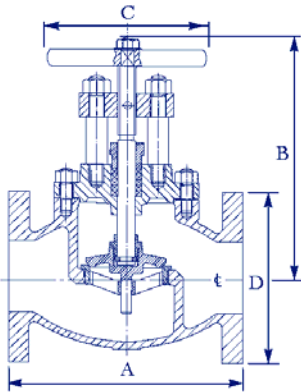
LG4 Bronze
AB2 Ali-Bronze
AB4 Ali-Bronze
Stainless Steel Trim

**THIS PRODUCT IS GENERALLY HELD IN STOCK WITH FLANGES UNDRILLED TO
ENABLE US TO DRILL TO YOUR REQUIREMENTS**

GLOBE VALVES

181

CAST IRON BOLTED BONNET GLOBE VALVE



Part No. 181

CAST IRON BODY WITH FLANGED CONNECTIONS

SIZE	DN25	DN32	DN40	DN50	DN65	DN80	DN100	DN125	DN150	DN200	DN250	DN300
A	160	180	200	203	216	241	292	330	356	495	622	698
B	213	213	213	243	283	302	351	420	483	616	670	750
C	127	127	127	152	152	152	190	254	254	530	530	530
D	115	140	150	165	185	200	229	280	305	368	432	460

The 181 cast iron bolted cover globe valve is ideally suited for secondary isolation duty. This valve provides a leak-tight shut off with the capability of being used partially open to regulate flow.

A further option allows this valve to be modified by ourselves to screw down non return, thus adding the feature of a check valve at a fraction of the cost.

Features & Benefits

- Specifications to BS EN 13789 formally BS 5152.
- Bronze trim.
- Bolted bonnet.
- Rising stem.
- Screw lift or SDNR pattern.

Pressure & Temperature

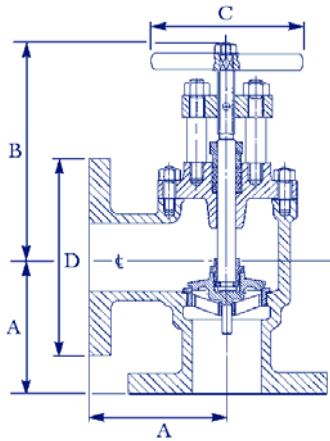
PN16 Rated

Contact sales team for full details on working pressure and temperatures.

MATERIALS

Body	Cast Iron
Bonnet	Cast Iron
Stem	Brass
Disc	Bronze
Seat	Bronze

THIS PRODUCT IS GENERALLY HELD IN STOCK WITH FLANGES UNDRILLED TO ENABLE US TO DRILL TO YOUR REQUIREMENTS



GLOBE VALVES

182

CAST IRON ANGLE PATTERN GLOBE VALVE



Part No. 182

CAST IRON BODY WITH FLANGED CONNECTIONS

SIZE	DN25	DN32	DN40	DN50	DN65	DN80	DN100	DN125	DN150	DN200	DN250	DN300
A	100	105	115	125	145	155	178	203	229	248	311	350
B	197	200	200	238	273	295	334	400	473	527	622	760
C	127	127	127	152	152	152	190	254	254	390	390	508
D	115	140	150	165	185	200	229	280	305	368	432	460

The 182 cast iron bolted cover globe valve is ideally suited for secondary isolation duty. This valve provides a leak-tight shut off with the capability of being used partially open to regulate flow.

A further option allows this valve to be modified by ourselves to screw down non return, thus adding the feature of a check valve at a fraction of the cost.

Features & Benefits

- Specifications to BS 5152.
- Bronze trim.
- Bolted bonnet.
- Rising stem.
- Screw lift or SDNR pattern.

Pressure & Temperature

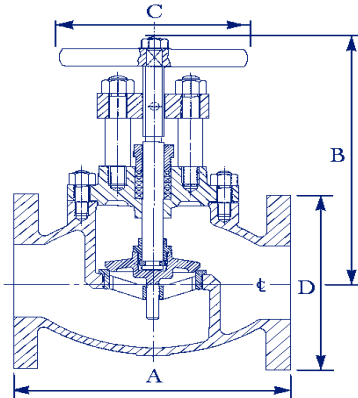
PN16 Rated

Contact sales team for full details on working pressure and temperatures.

MATERIALS

Body	Cast Iron
Bonnet	Cast Iron
Stem	Brass
Disc	Bronze
Seat	Bronze

THIS PRODUCT IS GENERALLY HELD IN STOCK WITH FLANGES UNDRILLED TO ENABLE US TO DRILL TO YOUR REQUIREMENTS



GLOBE VALVES

280

CAST STEEL BOLTED BONNET GLOBE VALVE



Part No. 280

CAST STEEL BODY WITH FLANGED CONNECTIONS

SIZE	DN15/20	DN25	DN32/40	DN50	DN65	DN80	DN100	DN125	DN150	DN200	DN250
A	152	152	200	254	280	305	356	406	457	533	629
B	200	223	226	277	321	324	394	460	553	645	746
C	95	108	127	152	152	165	229	254	305	530	530
D	114	121	150	165	185	203	235	279	305	375	450

This robustly constructed cast steel bolted cover globe valve are supplied with Lloyds approved 3.1 material certification and are ideally suited for primary isolation duty for shipside use.

The valve provides a leak tight-tight shut off with the capability of being used partially open to regulate flow.

Independent third party test and inspection by Lloyds can be arranged usually within 1 to 2 working days, to meet Lloyds 3.2 certification.

Features & Benefits

- Lloyds Approved.
- Specifications to BS5160
- Marine style with open & shut indicator.
- Supplied with full material certification.
- Rising stem.
- Screw lift or SDNR pattern.

Pressure & Temperature

PN40 Rated

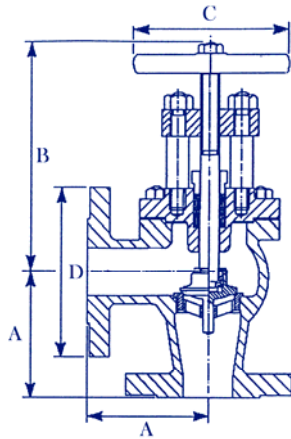
Contact sales team for full details on working pressure and temperatures.



Approved For Shiplside
& Marine Boiler Duty

MATERIALS	
Body	Cast Steel
Bonnet	Cast Steel
Stem	Stainless Steel
Disc	Stainless Steel
Seat	Stainless Steel

**THIS PRODUCT IS GENERALLY HELD IN STOCK WITH FLANGES UNDRILLED TO
ENABLE US TO DRILL TO YOUR REQUIREMENTS**



GLOBE VALVES

281

CAST STEEL ANGLE PATTERN GLOBE VALVE



Part No. 281

CAST STEEL BODY WITH FLANGED CONNECTIONS

SIZE	DN15/20	DN25	DN32/40	DN50	DN65	DN80	DN100	DN125	DN150	DN200	DN250
A	83	83	114	127	140	152	178	203	229	260	314
B	185	209	229	277	280	289	337	422	495	641	711
C	95	108	127	152	152	165	229	254	305	530	530
D	114	121	150	165	185	203	235	279	305	375	450

This robustly constructed cast steel bolted cover globe valve are supplied with Lloyds approved 3.1 material certification and are ideally suited for primary isolation duty for shipside use.

The valve provides a leak tight-tight shut off with the capability of being used partially open to regulate flow.

Independent third party test and inspection by Lloyds can be arranged usually within 1 to 2 working days, to meet Lloyds 3.2 certification.

Features & Benefits

- Lloyds Approved.
- Specifications to BS5160
- Marine style with open & shut indicator.
- Supplied with full material certification.
- Rising stem.
- Screw lift or SDNR pattern.

Pressure & Temperature

PN40 Rated

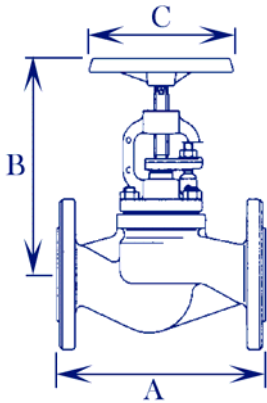
Contact sales team for full details on working pressure and temperatures.



Approved For Shiplside
& Marine Boiler Duty

MATERIALS	
Body	Cast Steel
Bonnet	Cast Steel
Stem	Stainless Steel
Disc	Stainless Steel
Seat	Stainless Steel

**THIS PRODUCT IS GENERALLY HELD IN STOCK WITH FLANGES UNDRILLED TO
ENABLE US TO DRILL TO YOUR REQUIREMENTS**



GLOBE VALVES

JV5200

**DIN 3202-1
SERIES F1
GLOBE VALVE**



Part No. JV5200

CAST IRON BODY WITH PN16 FLANGED CONNECTIONS

SIZE	DN15	DN20	DN25	DN32	DN40	DN50	DN65	DN80	DN100	DN125	DN150	DN200
A	130	150	160	180	200	230	290	310	350	400	480	600
B	195	195	195	193	232	235	283	285	350	389	440	570
C	125	125	125	125	160	160	200	200	250	250	315	400

This bolted bonnet globe valve with a stainless steel valve disc is ideally suited for isolation duty, providing a leak-tight shut off with the capability of being used partially open to regulate flow.

Face to face dimensions to FTF series 1 according to DIN EN 5581 (DIN 3202-1 series F1).

Features & Benefits

- Gland sealed.
- Stainless steel disc
- Rising stem.

Pressure & Temperature

13 bar @ 200°C.
11 bar @ 250°C.
10 bar @ 300°C.

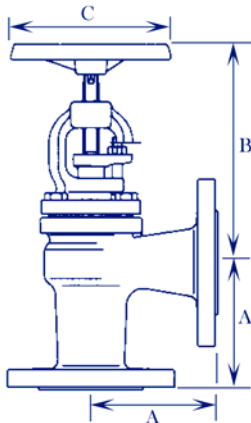
MATERIALS

Body	Cast Iron
Bonnet	Cast Iron
Stem	Stainless Steel
Disc	Stainless Steel

Other Materials Available

Nodular Iron Body
Cast Steel Body

SDNR – SCREW DOWN NON-RETURN & BELLOW SEALED PATTERNS AVAILABLE



GLOBE VALVES

JV5220

DIN 3202-1 SERIES F32 GLOBE VALVE



Part No. JV5220

CAST IRON BODY WITH PN16 FLANGED CONNECTIONS

SIZE	DN15	DN20	DN25	DN32	DN40	DN50	DN65	DN80	DN100	DN125	DN150
A	90	95	100	105	115	125	145	155	175	200	225
B	163	160	173	173	214	211	236	250	301	339	383
C	100	100	120	120	140	160	180	200	250	250	320

This bolted bonnet globe valve with a stainless steel valve disc is ideally suited for isolation duty, providing a leak-tight shut off with the capability of being used partially open to regulate flow.

Face to face dimensions to CTF series 8 according to DIN EN 5581 (DIN 3202-1 series F32).

Features & Benefits

- Gland sealed.
- Stainless steel disc
- Rising stem.

Pressure & Temperature

13 bar @ 200°C.
11 bar @ 250°C.
10 bar @ 300°C.

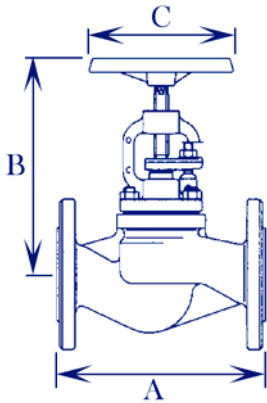
MATERIALS

Body	Cast Iron
Bonnet	Cast Iron
Stem	Stainless Steel
Disc	Stainless Steel

Other Materials Available

Nodular Iron Body
Cast Steel Body

SDNR – SCREW DOWN NON-RETURN & BELLOW SEALED PATTERNS AVAILABLE



GLOBE VALVES

35.006

LLOYDS APPROVED SHIPSIDE/BOILER GLOBE VALVE



Part No. 35.006

STRAIGHT CAST STEEL BODY WITH PN40 FLANGED CONNECTIONS

Face to face length FTF series 1 to DIN EN 558-1 (DIN 3202-1 series F1)

SIZE	DN15	DN20	DN25	DN32	DN40	DN50	DN65	DN80	DN100	DN125	DN150
A	130	150	160	180	200	230	290	310	350	400	480
B	185	185	205	205	230	230	270	305	355	395	450
C	120	120	140	140	160	160	180	200	225	250	400

The 35.006 straight pattern bolted bonnet cast steel globe valve with a stainless steel valve disc has been pressure tested and witnessed by Lloyds Register of Shipping (LRS) and therefore ideally suited for shipside and marine boiler duty. Also suitable for many other applications where isolation of steam, gases and liquids is required.

Face to face dimensions to FTF series 1 according to DIN EN 558-1 (DIN 3202-1 series F1).

Features & Benefits

- Lloyds Register of Shipping (LRS) approved.
- Supplied with 3.2 certification.
- Flanged to B.S. 4504 P.N. 40
- Gland sealed.
- Stainless steel disc.
- Rising stem.

Pressure & Temperature

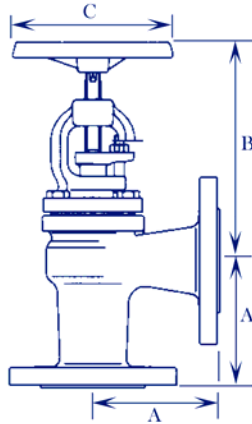
- 40 bar @ 120°C.
- 35 bar @ 200°C.
- 32 bar @ 250°C.
- 28 bar @ 300°C.
- 24 bar @ 350°C.
- 21 bar @ 400°C.
- 18 bar @ 450°C.

MATERIALS

Body	Cast Steel
Bonnet	Cast Steel
Stem	Stainless Steel
Disc	Stainless Steel
Packing Ring & Gasket	Graphite



Approved For Shipline
& Marine Boiler Duty



GLOBE VALVES

35.007

LLOYDS APPROVED SHIPSIDE/BOILER GLOBE VALVE



Part No. 35.007

ANGLED CAST STEEL BODY WITH PN40 FLANGED CONNECTIONS

Face to face length CTF series 8 to DIN EN 558-1 (DIN 3202-1 series F32)

SIZE	DN15	DN20	DN25	DN32	DN40	DN50	DN65	DN80	DN100	DN125	DN150
A	90	95	100	105	115	125	145	155	175	200	225
B	185	185	200	200	215	215	245	280	320	360	415
C	120	120	140	140	160	160	180	200	225	250	400

The 35.007 angled pattern bolted bonnet cast steel globe valve with a stainless steel valve disc has been pressure tested and witnessed by Lloyds Register of Shipping (LRS) and therefore ideally suited for shipside and marine boiler duty. Also suitable for many other applications where isolation of steam, gases and liquids is required.

Face to face dimensions to CTF series 8 according to DIN EN 558-1 (DIN 3202-1 series F32).

Features & Benefits

- Lloyds Register of Shipping (LRS) approved.
- Supplied with 3.2 certification.
- Flanged to B.S. 4504 P.N. 40
- Gland sealed.
- Stainless steel disc.
- Rising stem.

Pressure & Temperature

- 40 bar @ 120°C.
- 35 bar @ 200°C.
- 32 bar @ 250°C.
- 28 bar @ 300°C.
- 24 bar @ 350°C.
- 21 bar @ 400°C.
- 18 bar @ 450°C.

MATERIALS

Body	Cast Steel
Bonnet	Cast Steel
Stem	Stainless Steel
Disc	Stainless Steel
Packing Ring & Gasket	Graphite



Approved For Shiplside
& Marine Boiler Duty

