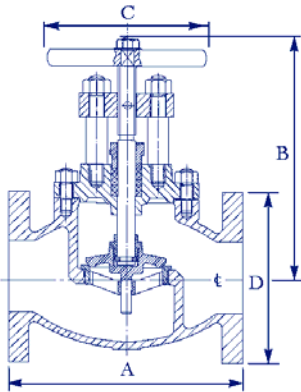


## GLOBE VALVES

# 181

### CAST IRON BOLTED BONNET GLOBE VALVE



#### Part No. 181

#### CAST IRON BODY WITH FLANGED CONNECTIONS

SIZE	DN25	DN32	DN40	DN50	DN65	DN80	DN100	DN125	DN150	DN200	DN250	DN300
A	160	180	200	203	216	241	292	330	356	495	622	698
B	213	213	213	243	283	302	351	420	483	616	670	750
C	127	127	127	152	152	152	190	254	254	530	530	530
D	115	140	150	165	185	200	229	280	305	368	432	460

The 181 cast iron bolted cover globe valve is ideally suited for secondary isolation duty. This valve provides a leak-tight shut off with the capability of being used partially open to regulate flow.

A further option allows this valve to be modified by ourselves to screw down non return, thus adding the feature of a check valve at a fraction of the cost.

#### Features & Benefits

- Specifications to BS EN 13789 formally BS 5152.
- Bronze trim.
- Bolted bonnet.
- Rising stem.
- Screw lift or SDNR pattern.

#### Pressure & Temperature

PN16 Rated

Contact sales team for full details on working pressure and temperatures.

#### MATERIALS

Body	Cast Iron
Bonnet	Cast Iron
Stem	Brass
Disc	Bronze
Seat	Bronze

**THIS PRODUCT IS GENERALLY HELD IN STOCK WITH FLANGES UNDRILLED TO ENABLE US TO DRILL TO YOUR REQUIREMENTS**