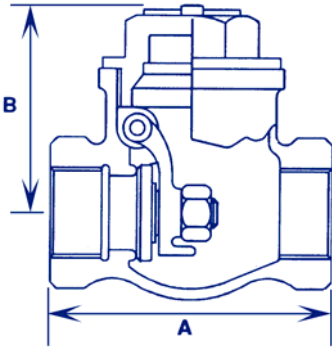


NON-RETURN VALVES

1060A

PEGLER BRONZE SWING PATTERN NON-RETURN VALVE



Part No. 1060A

BRONZE BODY WITH BSP THREADED CONNECTIONS

BSP	1/4	3/8	1/2	3/4	1	1 1/4	1 1/2	2	2 1/2	3
A	57	57	62	76	83	94	105	125	148	175
B	40	40	45	55	60	65	75	90	110	125

This bronze swing type check valves is suited for steam, water and oil applications. It can be fitted in the horizontal position or in the vertical position with the flow going upwards. This valve requires a low minimum pressure to open.

Features & Benefits

- Specifications to BS5154 series B.
- Metal seat & disc configuration.
- Robustly manufactured.

Pressure & Temperature

Pressure range:-
PN25 Rated

Temperature Range:-
25 bar @ -10°C to 100°C.
10.5 bar @ 186°C.

MATERIALS

Body	Bronze
Cap	Brass
Disc	Brass