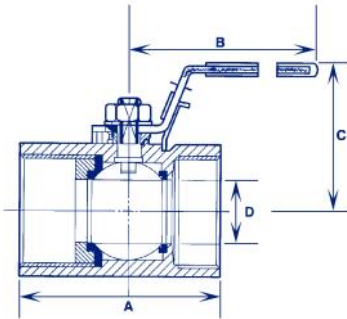


BALL VALVES



BV901

ONE-PIECE STAINLESS STEEL BALL VALVE



Part No. BV901

REDUCED BORE WITH BSP THREADED CONNECTIONS

BSP	1/4	3/8	1/2	3/4	1	1 1/4	1 1/2	2
A	39	44	56	59	71	77	83	100
B	68	79	90	90	104	104	126	126
C	33	35	42	46	50	56	66	72
D	5	7	9.2	12.5	16	20	25	32

The economical BV901 stainless steel bodied reduced bore ball valves are suited for various applications.

The quarter turn operation in conjunction with the PTFE seats provides fast positive isolation.

These valves may be locked in the open or closed position.

Features & Benefits

- Basic design complies with ANSI B16.34 & MSS SP-110.
- Bottom loaded blow-out proof stem.
- Suitable for various duties.
- Lockable in the open & closed

Pressure & Temperature

PN69 Rated
10 bar at 180°C.
69 bar at -29°C to 100°C.

MATERIALS

Body	ASTM A351-CF8M
Ball	ASTM A351-CF8M/316
Seats	P.T.F.E.
Lever	AISI 304