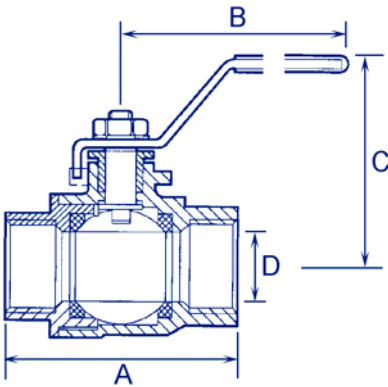


BALL VALVES

BV902

TWO-PIECE STAINLESS STEEL BALL VALVE



Part No. BV902

FULL BORE WITH BSP THREADED CONNECTIONS

BSP	1/4	3/8	1/2	3/4	1	1 1/4	1 1/2	2	2 1/2	3
A	55	55	65	76	88	102	110	125	161	178
B	100	100	130	130	165	165	190	190	250	250
C	50	50	60	64	71	78	86	95	130	148
D	11.5	12.5	15	20	25	32	38	50	65	80

The BV902 stainless steel bodied full bore ball valves are suited for various applications. The full bore construction minimises headloss.

The quarter turn operation in conjunction with the PTFE seats provides fast positive isolation.

These valves may be locked in the open or closed position.

Features & Benefits

- Economical compact design.
- Blow-out proof stem.
- Suitable for various duties.
- Lockable in the open & closed

Pressure & Temperature

PN69 Rated
10 bar at 170°C.
69 bar at -29°C to 38°C.

MATERIALS

Body	CF8M
Ball & Stem	SS 316
Seats	P.T.F.E.
Lever	SS 304