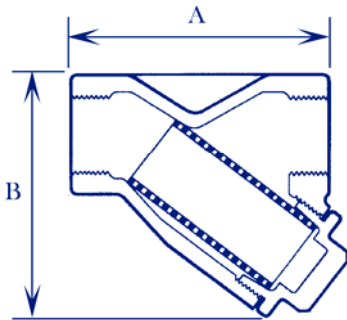


STRAINERS FILTERS



JV2500

BRASS Y-TYPE STRAINER



Part No. JV2500

BRASS BODY WITH BSP THREADED CONNECTIONS

BSP	1/4	3/8	1/2	3/4	1	1 1/4	1 1/2	2	2 1/2	3	4
A	48	48	56	68	75	96	105	125	150	167	226
B	40	40	39	46	50	65	73	89	99	132	170
SCREEN PERFORATION	0.5	0.5	0.5	0.5	0.5	0.5	0.5	0.5	0.5	0.5	0.5

A economical brass Y-type strainer with a stainless steel screen ideally suited for water applications to protect meters, pumps, valves and other pipeline equipment.

Features & Benefits

- Y-type.
- Economical & efficient.
- Easily removable stainless steel screen for cleaning.

Pressure & Temperature

Pressure range:-
1/4" to 2" -16 bar
2 1/2" to 4" - 10 bar

Temperature Range:-
-10°C to 120°C

MATERIALS

Body	Brass
Filter Screen	Stainless Steel AISI 304
Cap	Brass
Gasket	NBR