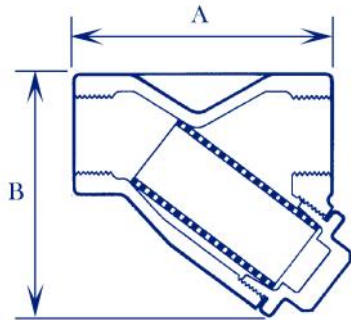


STRAINERS FILTERS



12B

SPIRAX SARCO BRONZE Y-TYPE STRAINER



Part No. 12B BRONZE BODY WITH BSP THREADED CONNECTIONS

BSP	1/2	3/4	1	1 1/4	1 1/2	2	2 1/2
A	72	89	104	138	150	178	210
B	54	64	72	100	110	133	152
SCREEN PERFORATION	0.8	0.8	0.8	0.8	0.8	0.8	0.8

This Y-type strainer is of a high quality construction and is suitable for many applications including water, steam and oil.

It is supplied as standard, with a stainless steel 0.8mm perforation screen. A choice of various perforated and woven mesh screens are available in both stainless steel and monel metal.

The cap on this strainer can be drilled and tapped to accept blowdown and drain cocks.

Features & Benefits

- Y-type.
- High quality construction.
- Easily removable screen for cleaning.
- Spares available.

Pressure & Temperature

Pressure range:-
PN25 Rated

Temperature Range:-
19 bar @ 210°C
25 bar @ -198°C to 125°C

MATERIALS

Body	Bronze
Filter Screen	Stainless Steel 316
Cap	Brass
Gasket	Graphite

AVAILABLE SCREENS & SPARES

Stainless Steel Screens	0.8mm, 1.6mm & 3mm Perforation 40, 100 & 200 Mesh
Monel Metal Screens	0.8mm & 3mm Perforation 100 Mesh
Cap Gaskets (Packet of 3)	