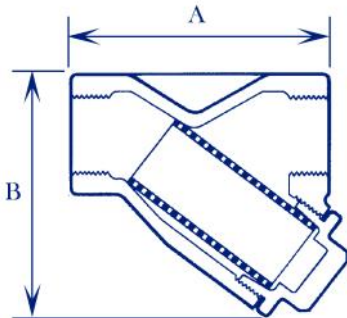


STRAINERS FILTERS



12S

SPIRAX SARCO SG IRON Y-TYPE STRAINER



Part No. 12S

SG IRON BODY WITH BSP THREADED CONNECTIONS

| BSP | 1/2 | 3/4 | 1 | 1 1/4 | 1 1/2 | 2 | 2 1/2 | 3 |
|--------------------|-----|-----|-----|-------|-------|-----|-------|-----|
| A | 79 | 93 | 110 | 140 | 153 | 177 | 274 | 280 |
| B | 55 | 65 | 78 | 103 | 115 | 140 | 177 | 183 |
| SCREEN PERFORATION | 0.8 | 0.8 | 0.8 | 0.8 | 0.8 | 0.8 | 0.8 | 0.8 |

This Y-type strainer is of a high quality construction and is suitable for many applications including water, steam and oil.

It is supplied as standard, with a stainless steel 0.8mm perforation screen. A choice of various perforated and woven mesh screens are available in both stainless steel and monel metal.

The cap on this strainer can be drilled and tapped to accept blowdown and drain cocks.

Features & Benefits

- Y-type.
- High quality construction.
- Easily removable screen for cleaning.
- Spares available.

Pressure & Temperature

Pressure range:-
PN25 Rated

Temperature Range:-
21 bar @ 210°C
25 bar @ 0°C to 115°C

MATERIALS

| | |
|---------------|---------------------|
| Body | SG Iron |
| Filter Screen | Stainless Steel 316 |
| Cap | SG Iron |
| Gasket | Graphite |

AVAILABLE SCREENS & SPARES

| | |
|---------------------------|--|
| Stainless Steel Screens | 0.8mm, 1.6mm & 3mm Perforation 40, 100 & 200 Mesh |
| Monel Metal Screens | 0.8mm & 3mm Perforation 100 Mesh |
| Cap Gaskets (Packet of 3) | |