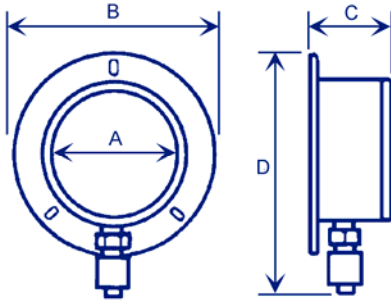


PRESSURE GAUGES

GVBF

GLYCERINE FILLED STAINLESS STEEL CASED



Part No GVBF SURFACE MOUNTED WITH VERTICAL CONNECTION

A DIAL SIZE	63	100
B	85	130
C	31	52
D	99	155
CONNECTION BSP	1/4	3/8

A heavy duty glycerine filled pressure gauge with an all stainless steel construction.

These gauges can be supplied with certification that confirms conformity to BS EN 837-1 :1998 (formally BS 1780) Accuracy Class 1.6

It is recommended that the pressure range should be chosen so that the working pressure is not more than 65% of the maximum scale value for fluctuating pressures or 75% for steady pressures.

Although primarily suited for use on air and water, if used on steam a suitable ring or u-syphon should be fitted and filled with water prior to use to prevent steam entering the gauge.

Features & Benefits

- Can be supplied with certification to BS EN 837-1 :1998 (formally BS 1780) Accuracy Class 1.6.
- Suitable for various duties.
- Economical & reliable.
- Weatherproof case.
- Glycerine filled for a dampening effect on vibration & pressure surges

Pressure & Temperature

Pressure range:-
See table below

Temperature range:-
0 to 60°C

MATERIALS	
Case	Stainless Steel
Wetted Parts	Stainless Steel
Bezel	Stainless Steel
Window	Clear Polymer

STANDARD PRESSURE RANGES AVAILABLE

	0 to 30"Hg Vac (-1 Bar)	30"Hg Vac (-1 Bar) to 15 PSI (1 Bar)	30"Hg Vac (-1 Bar) to 30 PSI (2 Bar)	30"Hg Vac (-1 Bar) to 60 PSI (4 Bar)
Vacuum & Compound	0 to 30"Hg Vac (-1 Bar) to 100 PSI (7 Bar)	30"Hg Vac (-1 Bar) to 160 PSI (10 Bar)	30"Hg Vac (-1 Bar) to 200 PSI (14 Bar)	30"Hg Vac (-1 Bar) to 300 PSI (20 Bar)
Pressure	0 to 15 PSI (1 Bar)	0 to 30 PSI (2 Bar)	0 to 60 PSI (4 Bar)	0 to 100 PSI (7 Bar)
	0 to 160 PSI (10 Bar)	0 to 200 PSI (14 Bar)	0 to 300 PSI (20 Bar)	0 to 400 PSI (27 Bar)
	0 to 600 PSI (41 Bar)	0 to 1000 PSI (70 Bar)	0 to 1600 PSI (100 Bar)	0 to 2000 PSI (140 Bar)
	0 to 3000 PSI (210 Bar)	0 to 4000 PSI (270 Bar)	0 to 6000 PSI (410 Bar)	0 to 10000 PSI (700 Bar)