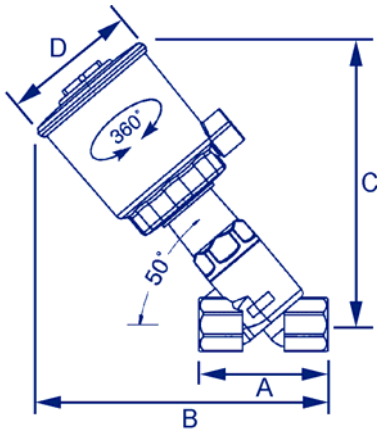


## ASCO JOUCOMATIC NUMATICS

### 290 NC

### PISTON TYPE NORMALLY CLOSED AIR OPERATED VALVES



#### Part No. 290 NC

#### BRONZE OR STAINLESS STEEL BODY WITH OPTIONAL PILOT VALVE

These piston valves are suitable for various duties including aggressive fluids and steam.

When ordering, please indicate the voltage and frequency required to operate the pilot valve (if required).

MATERIALS	
Body	Stainless Steel
Disc & Stuffing Box Seal	PTFE
Operator	Glass Fibre Filled Polyamide

#### Features & Benefits

- Body to DIN3202 standard.
- Long service life.
- Anti-water-hammer design.
- Less air consumption compared to a quarter-turn actuator.
- Compact dimensions with high flow rates.

#### Pressure & Temperature

Pressure Range:-  
**See Selection Chart Below.**

Fluid temperature:-  
-10°C to 184°C.

Ambient temperature:-  
-10°C to 60°C.

BSP	HEAD Ø mm	PILOT		OPERATING PRESSURES				DIMENSIONS				CODE NUMBER		OPTIONAL 3/2 PILOT VALVE	
		MIN BAR	MAX BAR	MIN BAR	MAX AIR	MAX WATER	MAX STEAM	A	B	C	D	BRONZE	STAINLESS STEEL		
<b>2/2 NORMALLY CLOSED - ENTRY UNDER THE DISC</b>															
3/8	32	4	10	0	16	16	10	55	92	81.5	43.5	-	<b>E290A791</b>	189/356	
1/2	32	4	10	0	12	12	10	65	99	83.5	43.5	-	<b>E290A792</b>	189/356	
1/2	50	4	10	0	16	16	10	65	142	141	69	<b>E290A384</b>	<b>E290A393</b>	189/356	
1/2	63	2.5	10	0	16	16	10	65	170	169	85	<b>E290B002</b>	<b>E290B045</b>	189/356	
3/4	32	4	10	0	6	6	6	75	107	88.5	43.5	-	<b>E290A793</b>	189/356	
3/4	50	4	10	0	10	10	10	75	150.5	143	69	<b>E290A385</b>	<b>E290A394</b>	189/356	
3/4	63	4	10	0	16	16	10	75	175	170	85	<b>E290B005</b>	<b>E290B048</b>	189/356	
1	50	4	10	0	6	6	6	90	155	145	69	<b>E290A386</b>	<b>E290A395</b>	189/356	
1	63	4	10	0	10	10	10	90	179	172	85	<b>E290B010</b>	<b>E290B053</b>	189/356	
1 1/4	63	4	10	0	6	6	6	110	217	204	85	<b>E290A016</b>	<b>E290A059</b>	189/356	
1 1/4	90	4	10	0	12	12	10	110	236	221	118	<b>E290A017</b>	<b>E290A060</b>	374	
1 1/2	63	4	10	0	4	4	4	120	224	215	85	<b>E290A020</b>	<b>E290A063</b>	189/356	
1 1/2	90	4	10	0	8	8	8	120	243	232	118	<b>E290A021</b>	<b>E290A064</b>	374	
2	63	4	10	0	2.5	2.5	2.5	150	249	224	85	<b>E290A024</b>	<b>E290A067</b>	189/356	
2	90	4	10	0	6	6	6	150	267	241	118	<b>E290A025</b>	<b>E290A068</b>	374	
2	125	4	10	0	10	10	10	150	315	293	156	<b>E290A485</b>	<b>E290A498</b>	374	
2 1/2	125	4	10	0	6	6	6	190	347	308	156	<b>E290A488</b>	<b>E290A501</b>	374	
<b>2/2 NORMALLY CLOSED - ENTRY ABOVE THE DISC (Recommended for steam applications with high cycling rates)</b>															
1/2	50	3	10	0	10	-	10	65	142	141	69	<b>E290A390</b>	<b>E290A399</b>	189/356	
1	63	2.5	10	0	10	-	10	90	179	172	85	<b>E290B038</b>	<b>E290B081</b>	189/356	
1 1/2	63	2.5	10	0	10	-	10	120	224	215	85	<b>E290A040</b>	-	189/356	
2	90	3	10	0	10	-	10	150	267	241	118	<b>E290A043</b>	-	374	

#### Options & Accessories

Visual NC Valve Position Indicator (Supplied as standard on 63mm to 125mm operator)

Magnetic Position Indicator

Signalling Box (50mm to 125mm operator)