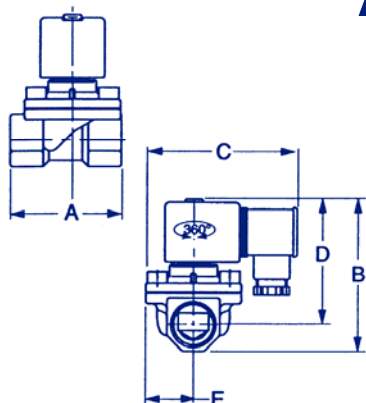


ASCO JOUCOMATIC NUMATICS



210

PILOT OPERATED GENERAL PURPOSE SOLENOID VALVES



Part No. 210

2/2 NORMALLY CLOSED & NORMALLY OPEN, BRASS BODY

The robustly manufactured Asco 210 series of solenoid valves are constructed with a hung diaphragm meaning that a minimum operating pressure is not required to operate.

When ordering, please indicate the voltage and frequency required to operate the coil.

Features & Benefits

- Hung diaphragm construction.
- No minimum operating pressure.
- Robustly constructed.
- Long service life.
- Suitable for outdoor applications.
- Wide range of standard voltages.
- Spare part kits & coils available.

Pressure & Temperature

Pressure Range:-

See Selection Chart Below.

Fluid temperature:-

-20°C to 85°C.

Ambient temperature:-

-20°C to 75°C**.

**Sizes 1in to 1 1/2in DC Voltage
-20°C to 50°C.

MATERIALS

Body	Brass
Seals	Nitrile (NBR)

BSP SIZE	ORIFICE SIZE	BODY MATERIAL	MIN	OPERATING PRESSURES (Bar)						DIMENSIONS					CODE NUMBER
				MAX A/C~	AIR =DC	MAX A/C~	WATER =DC	MAX A/C~	OIL =DC	A	B	C	D	E	
2/2 NORMALLY CLOSED															
3/8	16	Brass	0	9	3	9	3	-	-	70	97	89	80	29	SCE210C093
1/2	16	Brass	0	9	3	9	3	-	-	70	97	89	80	29	SCE210C094
1/2	16	Brass	0	-	-	9	-	-	-	70	97	89	80	29	SCE210C094BW*
3/4	19	Brass	0	9	3	9	3	-	-	73	103	89	89	29	SCE210D095
3/4	19	Brass	0	-	-	9	-	-	-	73	103	89	89	29	SCE210C095BW*
1	25	Brass	0	9	6	9	6	9	6	95	129	105	112	41.5	SCE210B154
1 1/4	28	Brass	0	9	6	9	6	9	6	95	143	105	112	41.5	SCE210B155
1 1/2	32	Brass	0	9	5	9	5	9	5	111	153	113	125	49.5	SCE210B156
2/2 NORMALLY OPEN															
3/8	16	Brass	0	9	9	9	9	9	5	70	108	89	98	29	SCE210C033
1/2	16	Brass	0	9	9	9	9	9	5	70	108	89	98	29	SCE210C034
3/4	19	Brass	0	9	9	9	9	9	5	70	117	89	102	29	SCE210C035
1	25	Brass	0	9	-	9	-	9	-	70	127	86	155	41.5	SCE210C057

* WRAS approved EPDM seals & supplied with anti-water hammer device as standard.

Options & Accessories

EPDM, FPM & CR Seals
Stainless Steel Body
Explosion Proof Enclosures Only

STANDARD VOLTAGES

A/C	24V/50Hz	48V/50Hz	115V/50Hz	230V/50Hz
D/C	24V	48V		

Other Voltages & Frequencies Available On Request

**THESE ARE THE STANDARD VALVES IN THE RANGE, OTHERS ARE
AVAILABLE, CONTACT SALES WITH YOUR REQUIREMENTS**