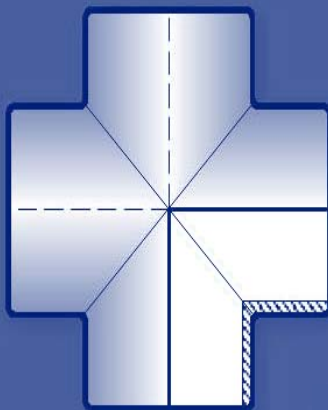
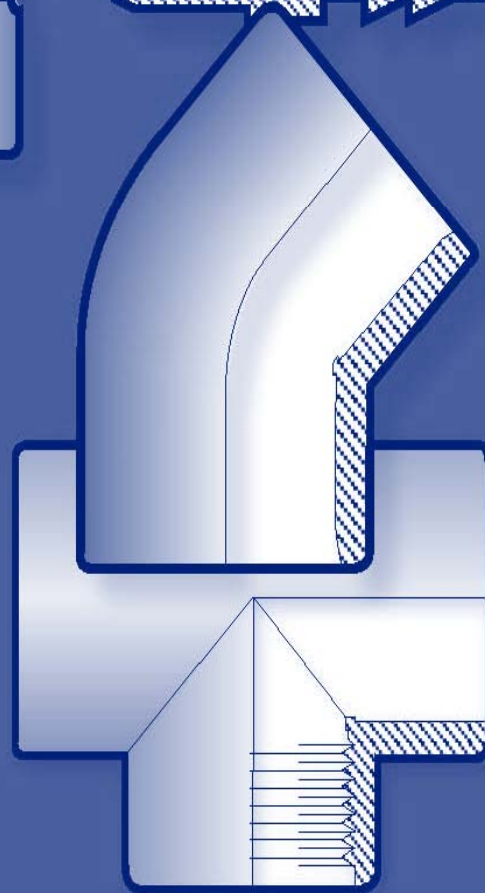
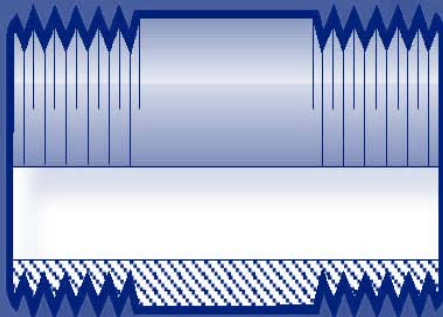
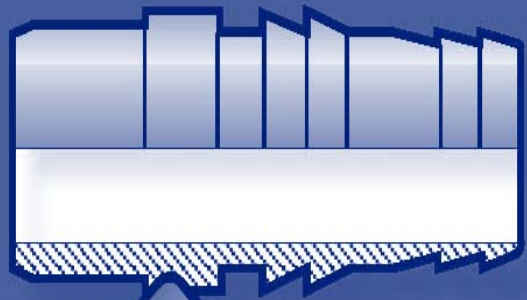
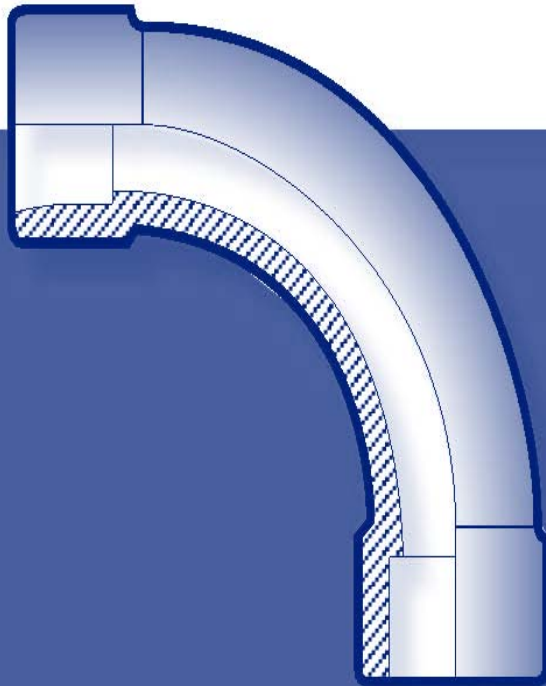
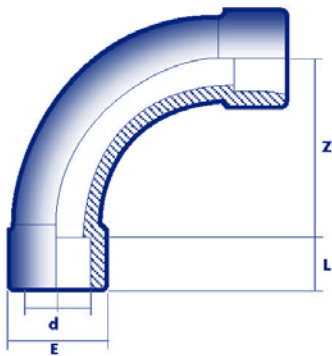


uPVC and ABS Plastics



ABS & uPVC Plastic Imperial Plain Fittings

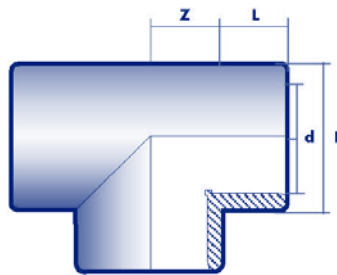
90° S/R Bends



BE33

d	L	Z	E
1/2"	16	40	28
3/4"	19	50	34
1"	22	64	42
1 1/4"	26	80	51
1 1/2"	31	100	63
2"	38	126	77
2 1/2"	44	150	92
3"	51	180	108
4"	61	220	132

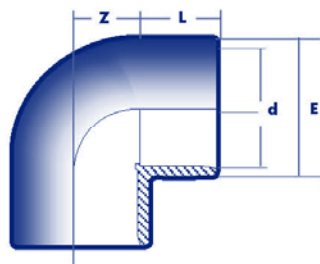
Equal Tees



TE43

d	L	Z	E
1/2"	16	11	27.5
3/4"	19	14	33.5
1"	22	17	42
1 1/4"	26	21	51
1 1/2"	31	26	61
2"	38	33	75
2 1/2"	44	39	89
3"	51	47	106
4"	61	57	129
5"	76	71	162.5
6"	86	81	188
8"	119	114	258

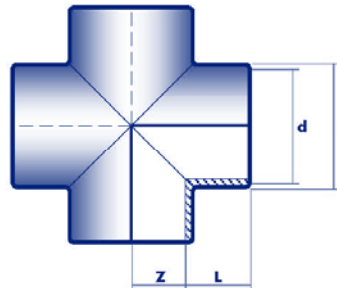
90° Elbows



EL53

d	L	Z	E
1/2"	16	11	26.5
3/4"	19	14	32.5
1"	22	17	41
1 1/4"	26	23	50
1 1/2"	31	28	60
2"	38	34	75
2 1/2"	44	40	89
3"	51	48	106
4"	61	58	129
5"	76	72	168
6"	86	81	188
8"	119	115	258

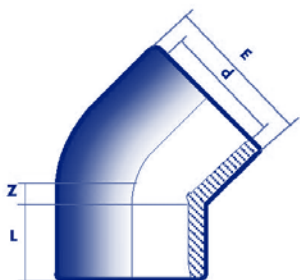
Crosses



CR33

d	L	Z	E
1/2"	16	11	27.5
3/4"	19	14	33.5
1"	22	17	42
1 1/4"	26	21	51
1 1/2"	31	26	61
2"	38	33	75
2 1/2"	45	43	91

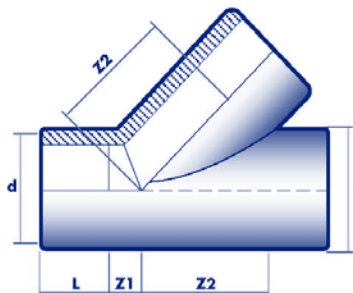
45° Elbows



EY53

d	L	Z	E
1/2"	16	5.5	28
3/4"	19	6	34
1"	22	8	42
1 1/4"	26	10	51
1 1/2"	31	12	61
2"	38	15	75
2 1/2"	44	18	89
3"	51	21	106
4"	61	25	132
5"	76	32	164
6"	86	36	192
8"	119	49	258

45° Tees

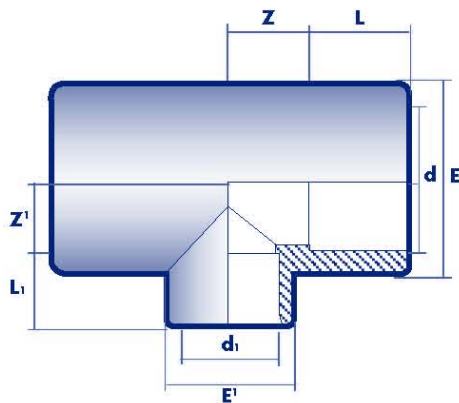


TY43

d	L	Z1	Z2
1/2"	16	7	29
3/4"	19	7	36
1"	22	8	44
1 1/4"	26	10	54
1 1/2"	31	12	65
2"	38	14	80
2 1/2"	45	18	95

ABS & uPVC Plastic Imperial Plain Fittings

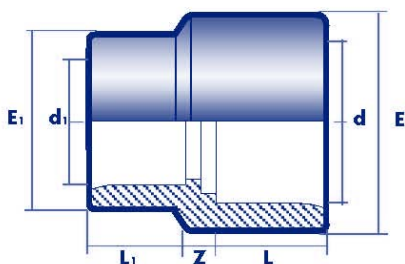
Reducing Tees



TR43

dxd1	L	L1	Z	Z1	E	E1
3/4" x 1/2"	19	16	14	14	33.5	28
1" x 1/2"	22	16	17	17	42	28
1" x 3/4"	22	19	17	17	42	34
1 1/4" x 1/2"	26	16	21	21	51	38
1 1/4" x 3/4"	26	19	21	21	51	34
1 1/4" x 1"	26	22	21	21	51	42
1 1/2" x 1/2"	31	16	26	26	61	28
1 1/2" x 3/4"	31	19	26	26	61	34
1 1/2" x 1"	31	22	26	26	61	42
1 1/2" x 1 1/4"	31	26	26	26	61	51
2" x 1/2"	38	16	33	33	75	28
2" x 3/4"	38	19	33	33	75	34
2" x 1"	38	22	33	33	75	42
2" x 1 1/4"	38	26	33	33	75	51
2" x 1 1/2"	38	31	33	33	75	61
2 1/2" x 1"	44	22	39	39	89	42
2 1/2" x 1 1/4"	44	26	39	39	89	51
2 1/2" x 1 1/2"	44	31	39	39	89	61
2 1/2" x 2"	44	38	39	39	89	75
3" x 1 1/4"	51	26	47	47	106	51
3" x 1 1/2"	51	31	47	47	106	61
3" x 2"	51	38	47	47	106	75
3" x 2 1/2"	51	44	47	47	106	89
4" x 1 1/2"	61	31	57	57	129	61
4" x 2"	61	38	57	57	129	75
4" x 2 1/2"	61	44	57	57	129	89
4" x 3"	61	51	57	57	129	106

Reducing Sockets

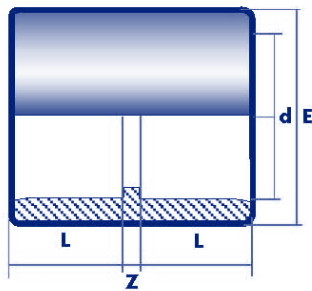


RS13

dxd1	L	L1	Z	E	E1
1/2" x 3/8"	16	14	6	28	23
3/4" x 1/2"	19	16	6	34	28
1" x 3/4"	22	19	6	42	33
1 1/4" x 1"	26	22	6	51	41
1 1/2" x 1 1/4"	31	26	6	61	50
2" x 1 1/2"	38	31	6	75	60.5
2 1/2" x 2"	44	38	6	89	75
3" x 2 1/2"	51	44	6	106	88
4" x 3"	61	51	6	129	106

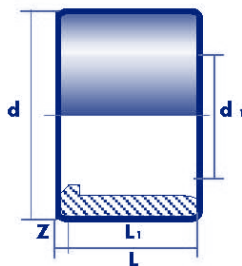
ABS & uPVC Plastic Imperial Plain Fittings

Sockets



SO13

Reducing Bushes



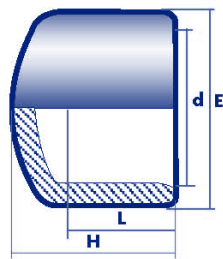
RB93

d	L	Z	E
1/2"	16	3	28
3/4"	19	3	34
1"	22	3	42
1 1/4"	26	3	51
1 1/2"	31	3	61
2"	38	3	75
2 1/2"	44	4	88
3"	51	5	106
4"	61	6	129
5"	76	8	161
6"	86	8	181
8"	119	11	258

dxd1	L	L1	Z
3/4" x 1/2"	19	16	3
1" x 1/2"	22	16	6
1" x 3/4"	22	19	3
1 1/4" x 1/2"	26	16	10
1 1/4" x 3/4"	26	19	7
1 1/4" x 1"	26	22	4
1 1/2" x 3/4"	31	19	12
1 1/2" x 1"	31	22	9
1 1/2" x 1 1/4"	31	26	5
2" x 1"	38	22	16
2" x 1 1/4"	38	26	12
2" x 1 1/2"	38	31	7
2 1/2" x 1 1/2"	44	31	13
2 1/2" x 2"	44	38	6
3" x 1 1/2"	51	31	20
3" x 2"	51	38	13
3" x 2 1/2"	51	44	7
4" x 2"	61	38	23
4" x 2 1/2"	61	44	17
4" x 3"	61	51	10
5" x 3"	76	51	25
5" x 4"	76	61	15
6" x 4"	86	61	25
8" x 6"	119	86	33

ABS & uPVC Plastic Imperial Plain Fittings

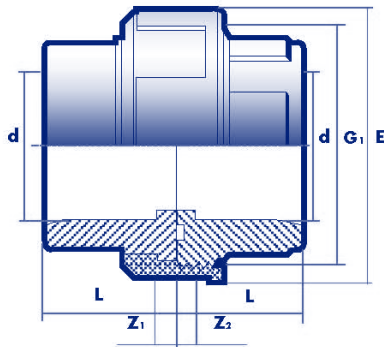
Caps



d	L	H	E
1/2"	16	27	28
3/4"	19	31	33
1"	22	36	41
1 1/4"	26	43	50
1 1/2"	31	49	60.5
2"	38	57	75
2 1/2"	44	67	89
3"	51	80	106
4"	61	95	129
5"	76	114	161
6"	86	126	181
8"	119	145	258

CA73

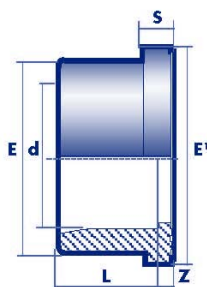
Socket Unions



d	L	Z1	Z2	G1	E
1/2"	16	3	10	1"	42
3/4"	19	3	10	1 1/4"	52
1"	22	3	10	1 1/2"	59
1 1/4"	26	3	12	2"	72
1 1/2"	31	3	14	2 1/4"	79
2"	38	3	18	2 3/4"	96
2 1/2"	44	3	18	3 1/2"	119
3"	51	5	18	4"	134
4"	61	5	18	5"	163

UN83

Stub Flanges

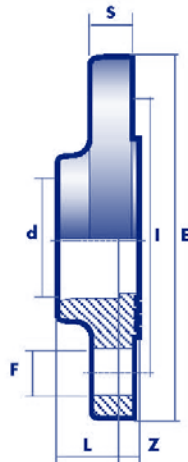


d	L	Z	S	E	E'
1/2"	16	3	6	27	34
3/4"	19	3	7	33	41
1"	22	3	7	41	50
1 1/4"	26	3	8	50	61
1 1/2"	31	3	8	61	73
2"	38	3	9	76	90
2 1/2"	44	3	10	90	106
3"	51	5	11	108	125
4"	61	5	12	131	150
5"	76	5	14	165	188
6"	86	5	16	194	220
8"	119	7	19	248	274

ST23

ABS & uPVC Plastic Imperial Plain Fittings

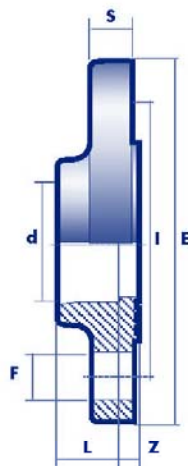
Full Faced Flanges PN16



d	L	Z	E	I	f	Holes
1/2"	16	4.5	95	65	14	4
3/4"	19	4.5	105	75	14	4
1"	22	4.5	115	85	14	4
1 1/4"	26	4.5	142	100	18	4
1 1/2"	31	4.5	152	110	18	4
2"	38	4.5	165	125	18	4
2 1/2"	44	6	185	145	18	4
3"	51	7	200	160	18	8
4"	61	8	220	180	18	8

FF33

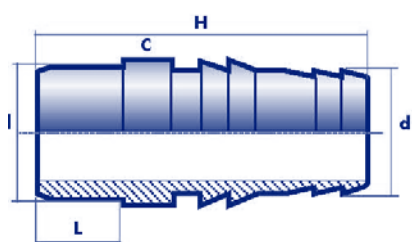
Full Faced Flanges Table E



d	L	Z	E	I	f	Holes
1/2"	16	4.5	95	65	14	4
3/4"	19	4.5	105	75	14	4
1"	22	4.5	115	85	14	4
1 1/4"	26	4.5	142	88	14	4
1 1/2"	31	4.5	152	98	18	4
2"	38	4.5	165	115	18	4
2 1/2"	44	6	185	127	18	4
3"	51	7	200	146	18	4
4"	61	8	220	180	18	8

FF30

Hose Adaptors

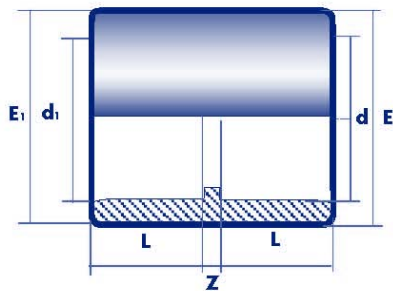


d	d1	L	H	C
3/8"	16	14	66	19
1/2"	20	16	70	24
3/4"	25	19	79	27
1"	32	22	83	36
1 1/4"	40	26	96	46
1 1/2"	50	31	108	55
2"	60	38	130	65

HN63

ABS & uPVC Plastic Imperial Plain Fittings

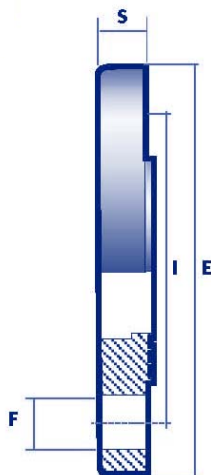
Socket



dxd1	L1	L2	Z	E	E1
20mm x 1/2"	16	16	3	28	28
25mm x 3/4"	19	19	3	33	33
32mm x 1"	22	22	3	41	41
40mm x 1 1/4"	26	26	3	50	50
50mm x 1 1/2"	31	31	3	60.5	60.5
63mm x 2"	38	38	3	75	75
90mm x 3"	51	51	5	106	106
110mm x 4"	61	61	6	129	129

SO14

Blank Flanges PN16

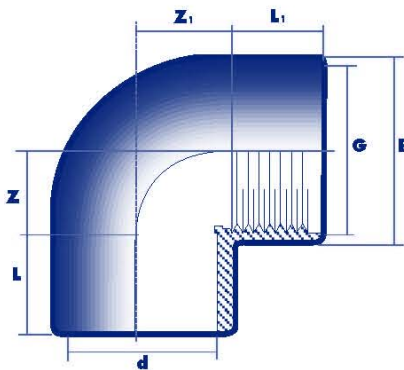


DN	E	S	I	F
1/2"	95	11	65	14
3/4"	105	12	75	14
1"	115	14	85	14
1 1/4"	142	15	100	18
1 1/2"	152	16	110	18
2"	165	18	125	18
2 1/2"	185	19	145	18
3"	200	20	160	18
4"	220	22	180	18
5"	250	26	210	18
6"	285	28	240	22

BF 00

ABS & uPVC Plastic Plain/ BSP Threaded Fittings

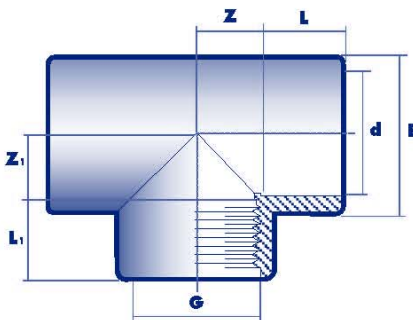
90° Elbows



dxG	L	L1	Z	Z1	E
1/2" x 1/2"	16	15	11	12	26.5
3/4" x 3/4"	19	16.3	14	16.7	32.5
1" x 1"	22	19.1	17	19.9	41
1 1/4" x 1 1/4"	26	21.4	23	25.6	50
1 1/2" x 1 1/2"	31	21.4	28	35.6	60
2" x 2"	38	25.7	34	45.3	75
2 1/2" x 2 1/2"	44	30.2	40	52.8	89
3" x 3"	51	33.3	48	64.7	106
4" x 4"	61	39.3	58	78.7	129

EL32

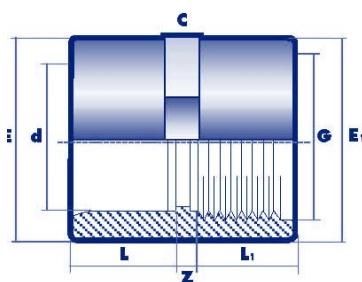
90° Tees



dxG	L	L1	Z	Z1	E
1/2" x 1/2"	16	15	11	12	27.5
3/4" x 3/4"	19	16.3	14	16.7	33.5
1" x 1"	22	19.1	17	19.9	42
1 1/4" x 1 1/4"	26	21.4	23	25.6	51
1 1/2" x 1 1/2"	31	21.4	28	35.6	61
2" x 2"	38	25.7	34	45.3	75
2 1/2" x 2 1/2"	44	30.2	40	52.8	89
3" x 3"	51	33.3	48	64.7	106
4" x 4"	61	39.3	58	78.7	129

TE32

Sockets

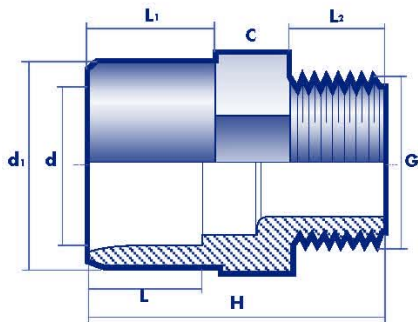


dxG	L	L1	Z	E	E1	C
1/2" x 1/2"	16	15	4	28	28	30
3/4" x 3/4"	19	16.3	4	34	34	34
1" x 1"	22	19.1	5	42	42	42
1 1/4" x 1 1/4"	26	21.4	5	50.5	50.5	55
1 1/2" x 1 1/2"	31	21.4	5	61	57.5	65
2" x 2"	38	25.7	5	75	71.5	75
2 1/2" x 2 1/2"	44	30.2	5	89	88.5	90
3" x 3"	51	33.3	8	106	106	110
4" x 4"	61	39.3	8	129	129	129

S032

ABS & uPVC Plastic Plain/ BSP Threaded Fittings

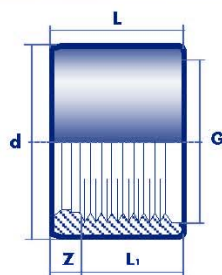
Male Threaded Adaptors



AD32

d-d1xG	L	L1	L2	H	C
3/8"-1/2" x 3/8"	14	16	11.4	40	24
3/8"-1/2" x 1/2"	14	16	15	43	24
1/2"-3/4" x 1/2"	16	19	15	46	27
1/2"-3/4" x 3/4"	16	19	16.3	47	30
3/4"-1" x 3/4"	19	22	16.3	50	36
3/4"-1" x 1"	19	22	19.1	53	36
1"-1 1/4" x 1"	22	26	19.1	57	42
1"-1 1/4" x 1 1/4"	22	26	21.4	60	46
1 1/4"-1 1/2" x 1 1/4"	26	31	21.4	66.5	55
1 1/4"-1 1/2" x 1 1/2"	26	31	21.4	66.5	55
1 1/2"-2" x 1 1/2"	31	38	21.4	74	65
1 1/2"-2" x 2"	31	38	25.7	78	65
2"-2 1/2" x 2"	38	44	25.7	84	75
2"-2 1/2" x 2 1/2"	38	44	30.2	91	80
2 1/2"-3" x 2 1/2"	44	51	30.2	99	95
2 1/2"-3" x 3"	44	51	33.3	102	95
3"-4" x 3"	51	61	33.3	110	115
3"-4" x 4"	51	61	39.3	118	115
4"-5" x 4"	61	69	39.3	120	130

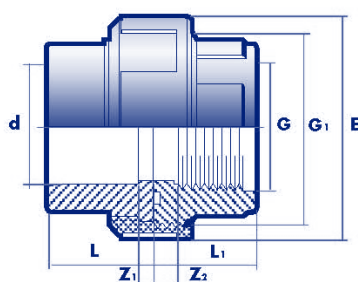
Reducing Bushes



RB30

dxG	L	L1	Z
1/2" x 3/8"	16	11.4	3
3/4" x 1/2"	19	15	4
1" x 3/4"	22	16.3	5.7
1 1/4" x 1"	26	19.1	6.9
1 1/2" x 1 1/4"	31	21.4	9.6
2" x 1 1/2"	38	21.4	16.6
2 1/2" x 2"	44	25.7	18.3
3" x 2 1/2"	51	30.2	20.8
4" x 3"	61	33.3	27.7

Socket Unions

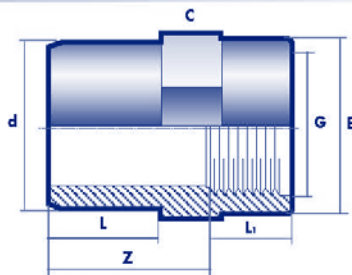


UN72

dxG	L	L1	Z1	Z2	G1	E
1/2" x 1/2"	16	15	3	11	1"	42
3/4" x 3/4"	19	16.3	3	12.7	1 1/4"	52
1" x 1"	22	19.1	3	12.9	1 1/2"	59
1 1/4" x 1 1/4"	26	21.4	3	16.6	2"	72
1 1/2" x 1 1/2"	31	21.4	3	23.6	2 1/4"	79
2" x 2"	38	25.7	3	30.3	2 3/4"	96

ABS & uPVC Plastic Plain/ BSP Threaded Fittings

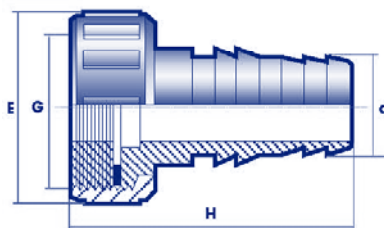
Female Threaded Adaptors



AD42

dxG	L	L1	E	Z	C
1/2" x 1/2"	16	15	28	24	30
3/4" x 3/4"	19	16.3	34	27	36
1" x 1"	22	19.1	42	30	46
1 1/4" x 1 1/4"	26	21.4	51	36	55
1 1/2" x 1 1/2"	31	21.4	58	41	60
2" x 2"	38	25.7	75	48	75
2 1/2" x 2 1/2"	44	30.2	89	58	90
3" x 3"	51	33.3	103	65	95
4" x 4"	61	39.3	130	76	130

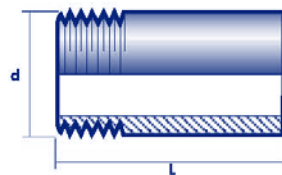
Hose Adaptors



HN64

G	d	H	E
3/4"	16	54	34
1"	20	59	42
1 1/4"	25	63	52
1 1/2"	30	68	59
2"	40	77	72
2 1/2"	50	80	79

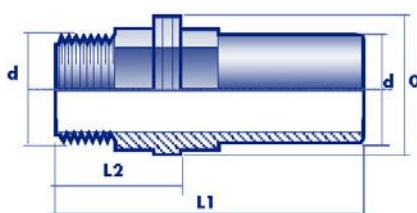
Barrel Nipples



BN12

d	L
3/8"	43
1/2"	50
3/4"	56
1"	63
1 1/4"	75
1 1/2"	88
2"	88
2 1/2"	106
3"	128
4"	153

Tank Connectors

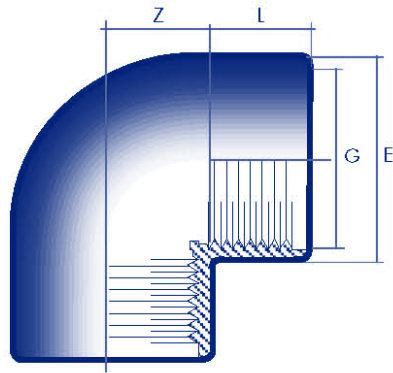


TC93

d	L	L1	O
1/2"	76	42	28
3/4"	76	42	33
1"	101	55	46
1 1/4"	120	70	50
1 1/2"	127	73	60
2"	152	80	80
2 1/2"	165	90	90
3"	202	112	112
4"	230	130	135

ABS & uPVC Plastic BSP Threaded Fittings

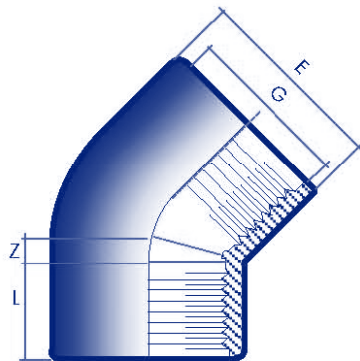
90° Elbows



EL51

G	L	Z	E
3/8"	11.4	11.6	23.5
1/2"	15.0	12.0	26.5
3/4"	16.3	16.7	32.5
1"	19.1	19.9	41
1 1/4"	21.4	27.6	50
1 1/2"	21.4	37.6	60
2"	25.7	46.3	75
2 1/2"	30.2	53.8	89
3"	33.3	65.7	106
4"	39.3	79.7	129

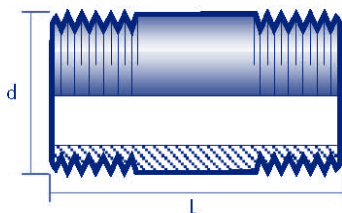
45° Elbows



EY51

G	L	Z	E
3/8"	11.4	8.1	23.5
1/2"	15.0	6.5	28
3/4"	16.3	8.7	34
1"	19.1	10.9	42
1 1/4"	21.4	14.6	51
1 1/2"	21.4	21.6	61
2"	25.7	27.3	75
2 1/2"	30.2	31.8	89
3"	33.3	38.7	106
4"	39.3	46.7	128

Barrel Nipples

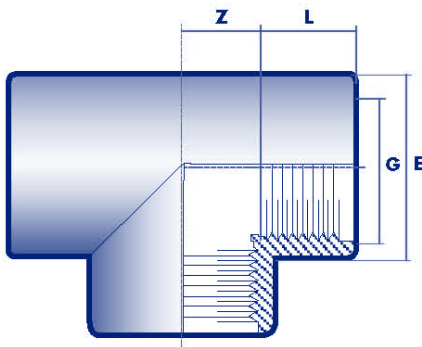


BN11

d	L
3/8"	43
1/2"	50
3/4"	56
1"	63
1 1/4"	75
1 1/2"	88
2"	88
2 1/2"	106
3"	128
4"	153

ABS & uPVC Plastic BSP Threaded Fittings

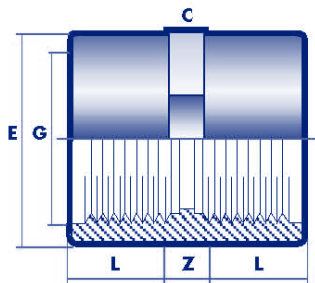
Equal Tees



TE41

G	L	Z	E
3/8"	11.4	11.6	23.5
1/2"	15.0	12.0	27.5
3/4"	16.3	16.7	33.5
1"	19.1	19.9	42
1 1/4"	21.4	25.6	51
1 1/2"	21.4	35.6	61
2"	25.7	45.3	75
2 1/2"	30.2	52.8	89
3"	33.3	64.7	106
4"	39.3	78.7	129

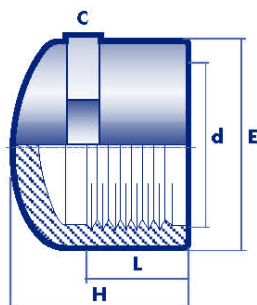
Sockets



SO11

G	L	Z	E	C
3/8"	11.4	6	23.5	24
1/2"	15.0	7	28	30
3/4"	16.3	7	34	36
1"	19.1	8	42	46
1 1/4"	21.4	8	50.5	55
1 1/2"	21.4	8	57.5	60
2"	25.7	8	71.5	75
2 1/2"	30.2	9	88	90
3"	33.3	10	102	105
4"	39.3	11	129	130

Caps

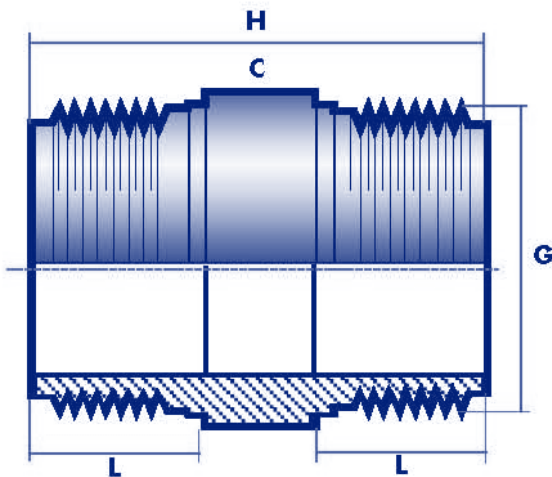


CA71

G	L	H	E	C
3/8"	11.4	22	23	24
1/2"	15.0	26	28	30
3/4"	16.3	28	34	36
1"	19.1	32	42	46
1 1/4"	21.4	35	51	55
1 1/2"	21.4	35	58	60
2"	25.7	39	72	75
2 1/2"	30.2	52	89	90
3"	33.3	56	103	105
4"	39.3	64	130	130

ABS & uPVC Plastic BSP Threaded Fittings

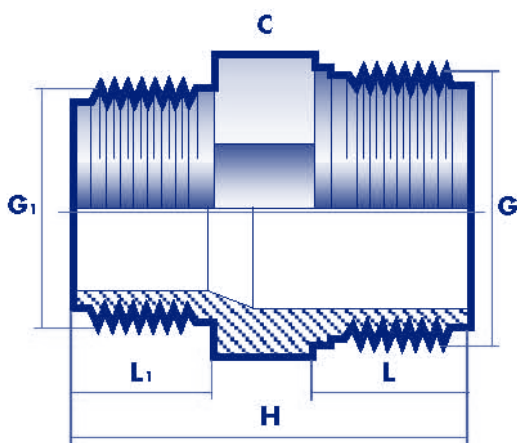
Hexagon Nipples



G	L	H	C
3/8"	11.4	31.7	19
1/2"	15.0	42	24
3/4"	16.3	44	30
1"	19.1	50	36
1 1/4"	21.4	58	46
1 1/2"	21.4	58	50
2"	25.7	66	65
2 1/2"	30.2	78	80
3"	33.3	85	95
4"	39.3	96	120

NI61

Reducing Nipples

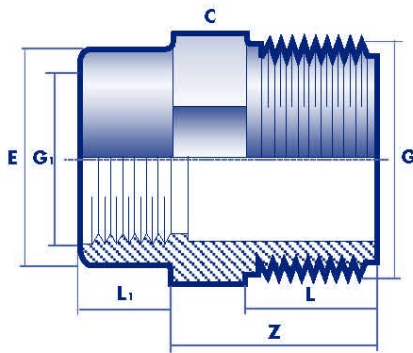


G x G1	L	L1	H	C
1/2" x 3/8"	15.0	11.4	38	24
3/4" x 1/2"	16.3	15.0	43	30
1" x 3/4"	19.1	16.3	47	36
1 1/4" x 1"	21.4	19.1	56	46
1 1/2" x 1 1/4"	21.4	21.4	58	50
2" x 1 1/2"	25.7	21.4	62	65
2 1/2" x 2"	30.2	25.7	73	80
3" x 2 1/2"	33.3	30.2	82	95
4" x 3"	39.3	33.3	90	120

NR61

ABS & uPVC Plastic BSP Threaded Fittings

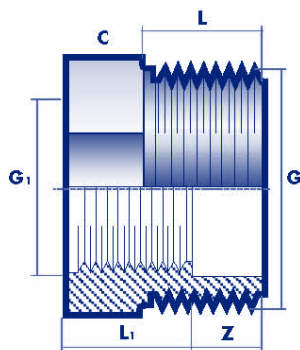
Reducing Bushes Long Pattern



RE61

G x G1	L	L1	Z	E	C
1/2" x 3/8"	15.0	11.4	24	23	24
3/4" x 3/8"	16.3	11.4	25	23	30
3/4" x 1/2"	16.3	15.0	26	28	30
1" x 3/8"	19.1	11.4	28	23	36
1" x 1/2"	19.1	15.0	29	28	36
1" x 3/4"	19.1	16.3	30	34	36
1 1/4" x 1/2"	21.4	15	33	28	46
1 1/4" x 3/4"	21.4	16.3	34	34	55
1 1/4" x 1"	21.4	19.1	33	42	46
1 1/2" x 3/4"	21.4	16.3	34	34	55
1 1/2" x 1"	21.4	19.1	34	42	50
1 1/2" x 1 1/4"	21.4	21.4	34	51	55
2" x 1"	25.7	19.1	37	42	65
2" x 1 1/4"	25.7	21.4	37	51	65
2" x 1 1/2"	25.7	21.4	37	58	65
2 1/2" x 1 1/4"	30.2	21.4	43	51	80
2 1/2" x 1 1/2"	30.2	21.4	43	58	80
2 1/2" x 2"	30.2	25.7	43	72	80
3" x 1 1/2"	33.3	21.4	47	58	95
3" x 2"	33.3	25.7	47	72	95
3" x 2 1/2"	33.3	30.2	47	89	95
4" x 2"	39.3	25.7	53	72	120
4" x 2 1/2"	39.3	30.2	53	89	120
4" x 3"	39.3	33.3	53	103	120

Reducing Bushes Short Pattern

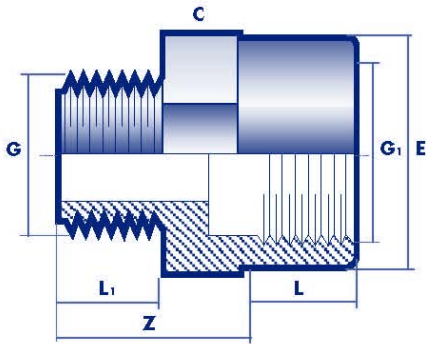


RB91

G x G1	L	L1	Z	C
3/4" x 1/2"	16.3	15.0	13.3	30
1" x 3/4"	19.1	16.3	14.8	36
1 1/4" x 1"	21.4	19.1	16.3	46
1 1/2" x 1 1/4"	21.4	21.4	14.0	50
2" x 1 1/2"	25.7	21.4	18.3	65
2 1/2" x 2"	30.2	25.7	20.5	80
3" x 2 1/2"	33.3	30.2	20.1	95
4" x 3"	39.3	33.3	24.0	120

ABS & uPVC Plastic BSP Threaded Fittings

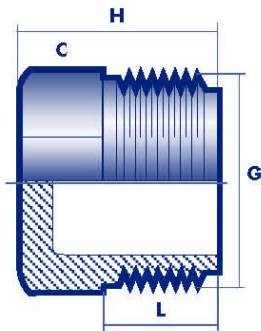
Reducing Pieces



G x G1	L	L1	Z	C	E
3/8" x 1/2"	11.4	15.0	22	30	28
1/2" x 3/4"	15.0	16.3	24	36	34
3/4" x 1"	16.3	19.1	26	46	42
1" x 1 1/4"	19.1	21.4	30	55	51
1 1/4" x 1 1/2"	21.4	21.4	33	60	58
1 1/2" x 2"	21.4	25.7	34	75	72
2" x 2 1/2"	25.7	30.2	38	90	89
2 1/2" x 3"	30.2	33.3	44	105	103
3" x 4"	33.3	39.3	48	130	130

RE21

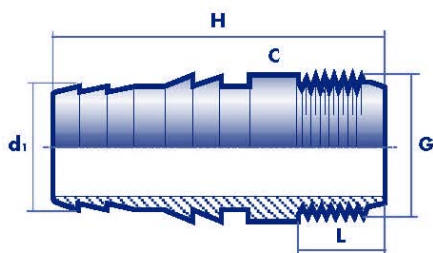
Plugs



G	L	H	C
3/8"	11.4	23	19
1/2"	15.0	29	24
3/4"	16.3	30	30
1"	19.1	33	36
1 1/4"	21.4	39	46
1 1/2"	21.4	39	50
2"	25.7	43	65
2 1/2"	30.2	53	80
3"	33.3	58	95
4"	39.3	65	120

PL71

Hose Adaptors

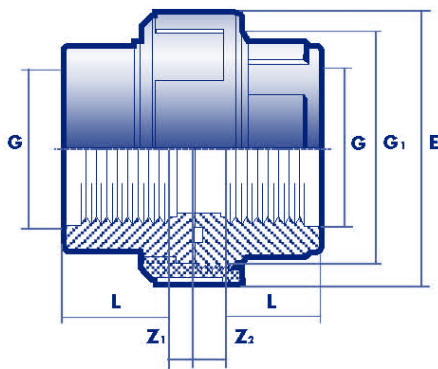


G	d1	L	H	C
1/4"	12	11	52	19
3/8"	16	11.4	64	19
1/2"	20	15.0	70	24
3/4"	25	16.3	75	27
1"	32	19.1	80	36
1 1/4"	40	21.4	92	46
1 1/2"	50	21.4	100	55
2"	60	25.7	118	65

HN61

ABS & uPVC Plastic BSP Threaded Fittings

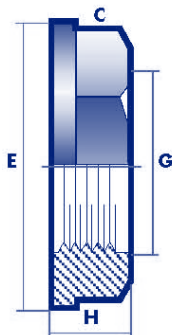
Socket Unions



G	L	Z1	Z2	G1	E
3/8"	11.4	5.6	12.6	3/4"	67
1/2"	15.0	4	11.0	1"	42
3/4"	16.3	5.7	12.7	1 1/4"	52
1"	19.1	5.9	12.9	1 1/2"	59
1 1/4"	21.4	7.6	16.6	2"	72
1 1/2"	21.4	12.6	23.6	2 1/4"	79
2"	25.7	15.3	30.3	2 3/4"	96
2 1/2"	30.2	16.8	31.8	3 1/2"	119
3"	33.3	22.7	35.7	4"	134
4"	39.3	26.7	39.7	5"	163

UN81

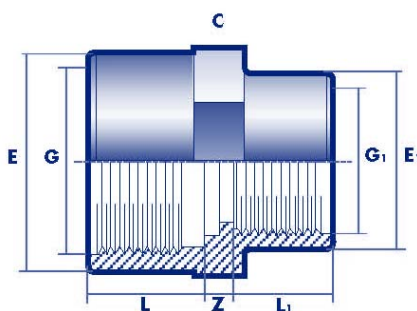
Back Nuts



G	E	H	C
1/2"	38	13	29
3/4"	43	14	34
1"	56	16	46
1 1/4"	65	18	50
1 1/2"	72	19	60
2"	94	21	80
2 1/2"	115	24	94
3"	130	27	108
4"	162	30	135

NU91

Reducing Sockets



G x G	L	L1	Z	E	E1	C
1/2" x 3/8"	15.0	11.4	6	28	23	24
3/4" x 1/2"	16.3	15.0	7	34	28	30
1" x 3/4"	19.1	16.3	7	42	34	36
1 1/4" x 1"	21.4	19.1	8	51	42	46
1 1/2" x 1 1/4"	21.4	21.4	8	58	51	55
2" x 1 1/2"	25.7	21.4	8	72	58	60
2 1/2" x 2"	30.2	25.7	8	89	72	75
3" x 2 1/2"	33.3	30.2	9	103	89	105
4" x 3"	39.3	33.3	10	130	103	130

RS11