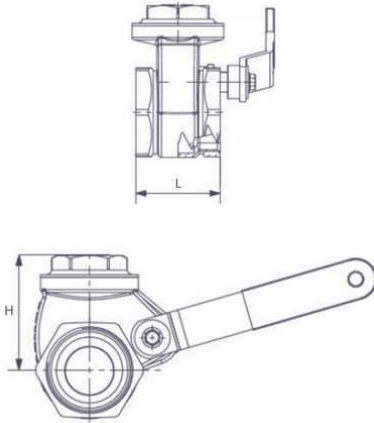


JV060035

**Bronze / Brass
Lever Operated
Gate Valve
BSPP Threaded**



A bronze / brass full bore gate valve with a lever operator ideally suited for cost effective isolation of a variety of fluids.

Features, Benefits & Approvals

- Lever operated
- Fast opening & closing
- Screwed bonnet
- Full bore

Pressure & Temperature

Maximum pressure:-
PN16 Rated

Temperature range:-
-20°C to 90°C

BSPP	1/2"	3/4"	1"	1 1/4"	1 1/2"	2"	2 1/2"	3"	4"	6"
L	46	51	57	61	67	75	80	86	92	102
H	40	48	55	62	68	54	106	117	150	
Weight Kg	0.4	0.6	0.8	1.0	1.4	1.7	3.3	4.0	5.9	11.2

MATERIALS

Body (1/2" - 1 1/2")	Bronze
Body (2" - 6")	Brass
Lever	Brass
Washer	Brass
Plug	Brass
O-ring	NBR
Gasket	Fibre