

FEATURES

- For gas pilot and gas burner control on industrial atmospheric and forced draught burners, also used in kilns and furnaces in process industries
- All valves have been type tested to EN 161 and satisfy the European gas appliance directive (90/396/EC) as amended by 93/68/EEC
Certificate of conformity British Gas:
 - No. BG/EC-87/95/396 (For EGSC E040B001-B002-B003)
 - No. BG/EC-87/96/14 (For EGSC E040A024)
 - No. BG/EC-87/96/13 (For EG E040B026)
- All valves are for class A group 2 service and cover gas family 1 and 2
- All valves are suitable to withstand 150 mbar back pressure
- Aluminium bodied, low pressure valves designed to provide maximum flow
- Direct lift valves with resilient soft seating for tight shut-off

GENERAL

Differential pressure See "SPECIFICATIONS" [1 bar =100 kPa]
Response time 1 s max.

fluids (*)	temperature range (TS)	seal materials (*)
combustible gas	0°C to + 60°C	NBR (nitrile)

MATERIALS IN CONTACT WITH FLUID

(*) Ensure that the compatibility of the fluids in contact with the materials is verified

Body	Aluminium
Core tube	Stainless steel
Core and plugnut	Stainless steel
Springs	Stainless steel
Seat	Aluminium
Seal	NBR
Disc	NBR
Riderring	PTFE
Core guide	POM
Shading coil	Copper

ELECTRICAL CHARACTERISTICS

Coil insulation class	F
Connector	Spade plug (cable Ø 6-10 mm)
Connector specification	ISO 4400 / EN 175301-803, form A (EGSE)
Coil connection	Embedded screw terminal (EG)
Electrical safety	IEC 335 / CEE-10
Electrical enclosure protection	Moulded IP65 (EGSE) (EN 60529) Metal IP41 (EG)
Standard voltages	AC (~) : 24V - 48V - 115V - 230V / 50 Hz

(Other voltages on request)

prefix option	power ratings				operator ambient temperature range (TS) (C°)	replacement coil		type ⁽¹⁾
	inrush ~	holding ~	hot/cold =			~	=	
	(VA)	(VA)	(W)	(W)		230 V/50 Hz	-	
EGSC	85	35	16,7	-	0 to + 60	400425-217	-	01
	127	46	20	-	0 to + 60	400525-117	-	02
EG	46	46	39,2	-	0 to + 60	115664-003	-	03

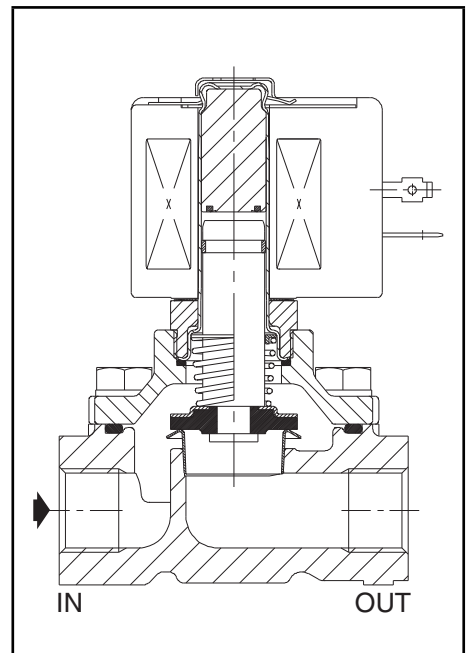
⁽¹⁾ Refer to the dimensional drawings on the following page.

SPECIFICATIONS

pipe size	orifice size	flow ⁽²⁾		operating pressure differential (bar)			power coil (W)		catalogue number	
				min.	max. (PS)		~	=		
					gas (*)					
Rp	(mm)	(m³/h)	(l/min)		~	=	~	=	~	
NC - Normally closed										
3/8	19	4,9	81,7	0	0,086	-	16,7	-	-	EGSCE040B001
1/2	19	7	116,7	0	0,086	-	16,7	-	-	EGSCE040B002
3/4	19	10,3	172	0	0,086	-	16,7	-	-	EGSCE040B003
1	23,8	14,84	247	0	0,086	-	20	-	-	EGSCE040A024 ⁽³⁾
1	30,1	25,22	420	0	0,14	-	39,2	-	-	EGE040B025 ⁽³⁾
1 1/2	30,1	31,14	519	0	0,14	-	39,2	-	-	EGE040B026 ⁽³⁾

⁽²⁾ For 2,5 mbar pressure drop air 1,0 s.g. at 1,013 mbar and 15°C.

⁽³⁾ Valves to be mounted vertical and upright.



OPTIONS

- Mounting brackets, suffix MB (EGSCE040B001/002/B003 only)
- Optional features to EGSCE040B001/002/B003:
 - Strainer, used suffix D01
 - 1/8" plugged pressure tappings in the inlet and outlet ports, use suffix B02
 - Strainer and 1/8 plugged pressure tappings in the inlet and outlet ports, used suffix D03
 - Pressure test nipples for hose connection in the inlet and outlet ports Ø 8 mm, use suffix D04
 - Strainer and Pressure test nipples for hose connection in the inlet and outlet ports Ø 8 mm, use suffix D05
- Plug with visual indication and peak voltage suppression or with cable length of 2m (see Solenoids, Coils & Accessories section)

INSTALLATION

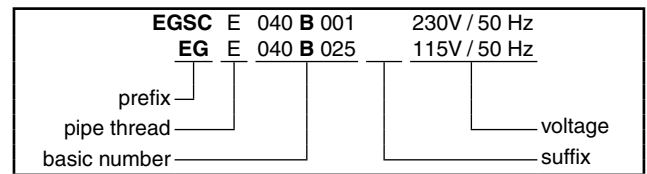
- The B001/B002/B003 solenoid valves can be mounted in any position without affecting operation. **The A024/B025/B026 solenoid valves must be mounted vertical and upright**
- Standard integrated strainers at the inlet port for valve types A024, B025 and B026. Strainers are optional for types B001, B002 and B003
- Pipe connection identifier is E = Rp (ISO 7/1)
- Installation/maintenance instructions are included with each valve

SPARE PARTS KIT

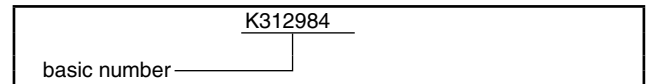
catalogue number	spare parts kit n°.	
	~	=
EGSCE040B001/B002/B003	K312984	-
EGE040A024	K320011	-
EGE040B025	K320012	-
EGE040B026	K312013	-

- Not available

ORDERING EXAMPLES:



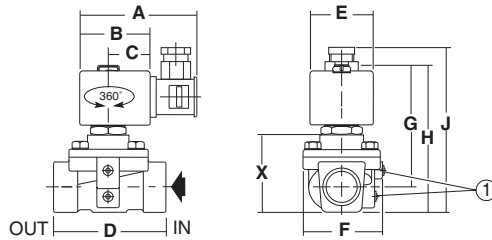
ORDERING EXAMPLES KITS:



DIMENSIONS (mm), WEIGHT (kg)

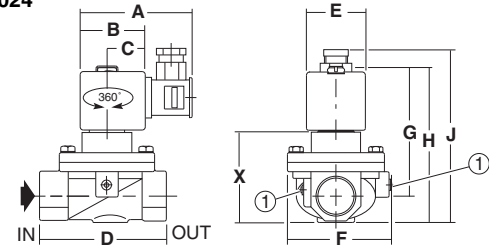
TYPE 01
Prefix "EGSC" Solenoid
Epoxy moulded
IEC 335 / ISO 4400
IP65

EGSCE040B001/B002/B003



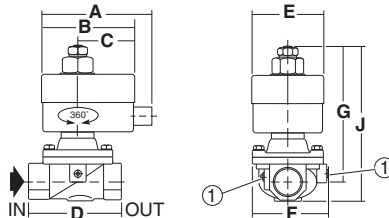
TYPE 02
Prefix "EGSC" Solenoid
Epoxy moulded
IEC 335 / ISO 4400
IP65

EGSCE040A024



TYPE 03
Prefix "EG" Solenoid
Metal
CEE-10 / screw terminal
IP41

EGE040B025/B026



type	prefix option	catalogue number	A	B	C	D	E	F	G	H	J	X	weight ⁽¹⁾
01	EGSC	EGSCE040B001/B002	77	50	30	70	45	59	83	98	114	47	0,9
		EGSCE040B003	77	50	30	83	45	59	88	109	125	58	0,7
02	EGSC	EGSCE040A024	86	56	33	108	50	89	112	130	135	55	1,4
		EGE040B025	131	110	68	108	84	89	152	-	175	-	2,4
03	EG	EGE040B026	131	110	68	127	84	113	162	-	194	-	2,8

⁽¹⁾ Inlet and outlet ports pressure tapping Rp 1/8 (standard for types A024, B025 and B026 and optional for types B001, B002 and B003)

⁽¹⁾ include coil and connector or metal housing.