

FEATURES

- The solenoid valves will withstand the severe service encountered in controlling cryogenic fluids, such as liquid oxygen (-183°C), liquid argon (-186°C) and liquid nitrogen (-196°C)
- All valves are degreased, cleaned, tested and packed to keep them free from moisture. In addition liquid oxygen (LOX) valves are "black light" tested to check for any hydrocarbons
- Valves do not require a minimum operating pressure
- Valve are provided with stainless steel seats
- The solenoid valves satisfy all relevant EC directives

GENERAL

Differential pressure See «SPECIFICATIONS» [1 bar =100 kPa]
Maximum viscosity 65 cSt (mm²/s)
Response time 5 - 25 ms

fluids (*)	temperature range (TS)	seal materials (*)
cryogenic fluids	- 196°C to + 90°C	PTFE

MATERIALS IN CONTACT WITH FLUID

(*) Ensure that the compatibility of the fluids in contact with the materials is verified

Body Brass
Core tube Stainless steel
Core and plugnut Stainless steel
Springs Stainless steel
Seat Brass
Seals Lead-clad copper
Disc PTFE
Shading coil Copper

ELECTRICAL CHARACTERISTICS

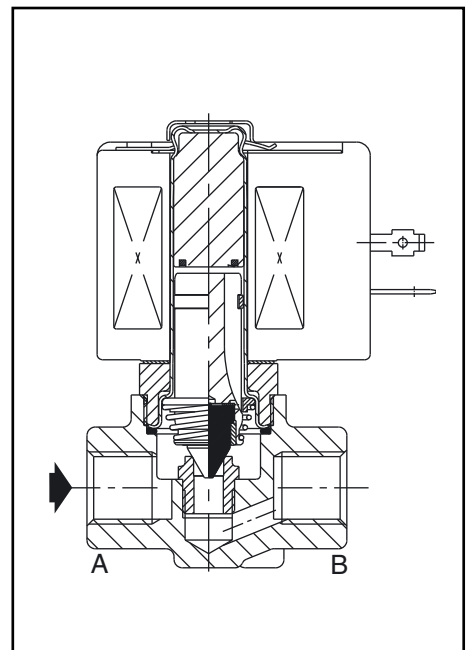
Coil insulation class F
Connector Spade plug (cable Ø 6-10 mm)
Connector specification ISO 4400 / EN 175301-803, form A
Electrical safety IEC 335
Electrical enclosure protection Moulded IP65 (EN 60529)
Standard voltages DC (=) : Contact us
 AC (~) : 24V - 48V - 115V - 230V / 50 Hz

prefix option	power ratings				operator ambient temperature range (TS) (C°)	replacement coil		type ⁽¹⁾
	inrush ~	holding ~		hot/cold =		~	=	
	(VA)	(VA)	(W)	(W)		230 V/50 Hz	-	
SC	55	23	10,5	-	-20 to + 75	400425-117	-	01
	78	35	16,7	-	-20 to + 50	400425-217	-	01

⁽¹⁾ Refer to the dimensional drawings on the following page.

SPECIFICATIONS

pipe size	orifice size (mm)	flow coefficient Kv		min.	operating pressure differential (bar)		power coil (W)		catalogue number	options			
		(m ³ /h)	(l/min)		max. (PS)	cryogenic fluids (*)	~	=		maintained man. operator			
NC - Normally closed													
NPT 1/8	3,2	0,3	5	0	9		10,5	-	SCB263A240LT	MO	-	-	-
Rp 1/4	5,6	0,48	8	0	7		16,7	-	SCE263-205LT	MO	-	-	-
Rp 1/4	7,1	0,6	10	0	3		10,5	-	SCE263-209LT	MO	-	-	-
Rp 3/8	5,6	0,48	8	0	7		16,7	-	SCE263B206LT	MO	-	-	-
Rp 3/8	7,1	0,6	10	0	3		10,5	-	SCE263A210LT	MO	-	-	-



00117GB-2011/R01 Availability, design and specifications are subject to change without notice. All rights reserved.

H

OPTIONS

- Waterproof enclosure with embedded screw terminal coil according to protection class IP67, CEE-10
- Compliance with "UL", "CSA" and other local approvals available on request
- Other pipe connections are available on request (1/4 - 3/8)
- Plug with visual indication and peak voltage suppression or with cable length of 2 m (see Solenoids, Coils & Accessories section)

INSTALLATION

- The solenoid valves can be mounted in any position without affecting operation
- Solenoid valves have 2 mounting holes in body
- Threaded pipe connections are: B = NPT (ANSI 1.20.3); E = Rp (ISO 7/1)
- Installation/maintenance instructions are included with each valve

SPARE PARTS KITS

catalogue number	spare parts kit no.	
	~	=
SCB263A240LT	C304062LT	-
SCE263-205LT/B206LT	C304063LT	-
SCE263-209LT/A210LT	C304064LT	-

- Not available

ORDERING EXAMPLES:

SC	B	263	A	240	LT	230V / 50 Hz
SC	E	263	-	205	LTMO	115V / 50 Hz
SC	E	263	-	209	LT	48V / 50 Hz
SC	E	263	B	206	LT	230V / 50 Hz

prefix — pipe thread — basic number — voltage — suffix

ORDERING EXAMPLES KITS:

C304062
C304064

basic number —

DIMENSIONS (mm), WEIGHT (kg)



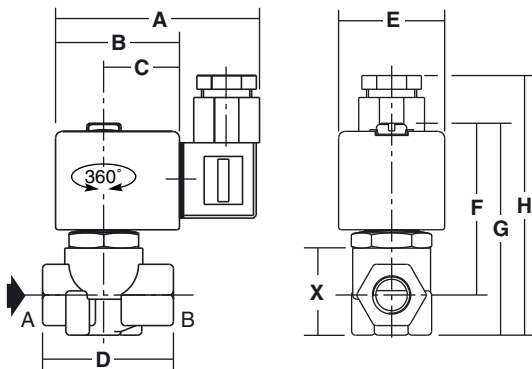
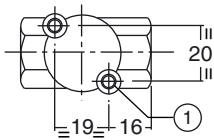
TYPE 01

Prefix "SC" Solenoid
Epoxy moulded
IEC 335 / ISO 4400
IP65

SCB263A240LT

SCE263-205LT/-209LT

SCE263B206LT/A210LT



① 2 mounting holes Ø M4, depth 6 mm

type	prefix option	A	B	C	D	E	F	G	H	X	weight ⁽¹⁾
01	SC	80	50	30	48	45	68	83	100	34	0,50

⁽¹⁾ including coil and connector.