



**SHA**  
**Hydraulic 1/4 Turn Actuator**  
**Single Acting (Spring Return)**  
**210Nm - 640Nm**  
**Double Acting**  
**120Nm - 15700Nm**



These robust and compact hydraulic actuators are suitable for demanding duties. Designed for quarter turn automation of ball, butterfly, plug valves and dampers. They can be supplied single (spring return) or double acting with a wide range of output torques offering a complete valve automation solution.

These hydraulic actuators are suitable for marine applications and satisfy all of the requirements of the major classification societies.

**Approvals, Features & Benefits**

- Base to ISO 5211 & DIN 3337 standards
- Robust & compact for demanding duties
- Wide range of torques & options to meet the demands of any site specification
- Low cost & maintenance
- Suitable for marine applications

**Pressure & Temperature**

Hydraulic pressure range:-  
6 to 10.5 MPa  
Temperature range:-  
Standard : -20 to 70°C  
Viton Option : -40 to 145°C

**STANDARD SPECIFICATIONS**

<b>Body Material SHA/S</b>	Epoxy Coated Cast Iron (GG40)
<b>Body Material SHA/D</b>	Epoxy Coated Ductile Iron (GGG40)
<b>Piston Sealing</b>	PTFE
<b>Closing Direction (top view)</b>	Clockwise
<b>Hydraulic Oil</b>	Viscosity Range 15-64 cSt. Acc. to thermal environment

**ADDITIONAL DATA**

	Torque (Double Acting)	Torque (Single Acting)		Stroke Volume (cm <sup>3</sup> )
	(Control Pressure 10.5MPa)	(Control Pressure 10.5MPa)		
	(Nm)	Opening (Nm)	Closing (Nm)	
SHA/S-40S	-	320	78	68
SHA/S-40L	-	210	190	68
SHA/S-63	-	640	360	169
SHA/D-32	120	-	-	30
SHA/D-40	400	-	-	68
SHA/D-63	1000	-	-	169
SHA/D-80	2600	-	-	473
SHA/D-160	5200	-	-	946
SHA/D-200	15700	-	-	2700

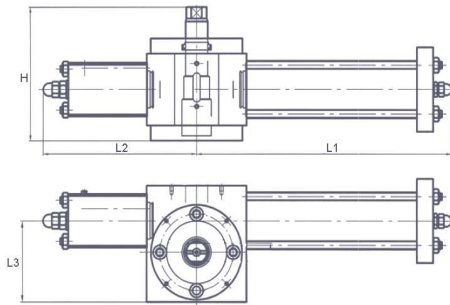
# SHA

**Hydraulic 1/4 Turn Actuator**  
**Single Acting (Spring Return)**  
**210Nm - 640Nm**

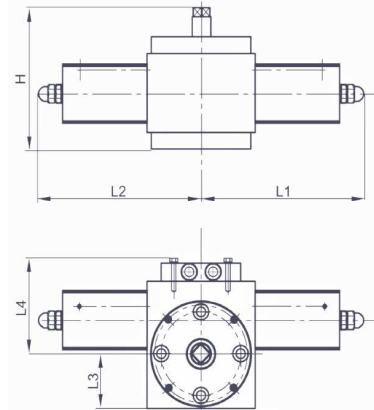
**Double Acting**  
**120Nm - 15700Nm**



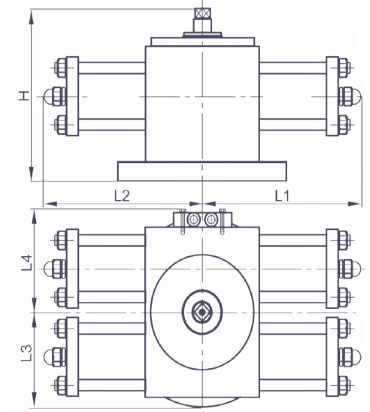
**SHA/S-40 to 63**



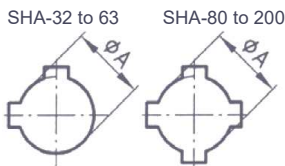
**SHAD/D-32 to 80**



**SHAD/D-160 to 200**



**Round Shaft**  
Acc. To DIN 6885



**Square Shaft**

SHA-80 to 200



SHA/S	Specify when ordering	
	A	B
40	10, 12, 14, 18, 20, 22, 25	10, 11, 12, 14, 16, 17, 19, 22
63	25, 30, 32, 35	19, 22, 24, 27, 30

SHAD/D	Specify when ordering	
	A	B
32	10	10, 14
40	14, 18, 20, 22, 25	14, 16, 17, 19, 22
63	20, 22, 25, 30	17, 19, 22, 24, 27, 30
80	30, 32, 36, 40, 45, 50, 60	24, 27, 30, 36, 40
160	30, 32, 35, 36, 40, 45, 50, 60	24, 30, 32, 36, 40
200	65, 70, 80, 90	

	Ports					ISO 5211 Mounting										Weight Kg
	L1	L2	L3	L4	H	BSP	F05	F07	F10	F12	F14	F16	F25	F30	F40	
<b>SHA/S-40S</b>	273	209	106	-	174	1/4	✓	✓	✗	✗	✗	✗	✗	✗	✗	-
<b>SHA/S-40L</b>	348	209	106	-	174	1/4	✓	✓	✗	✗	✗	✗	✗	✗	✗	-
<b>SHA/S-63</b>	378	209	106	-	174	1/4	✓	✓	✓	✗	✗	✗	✗	✗	✗	-
<b>SHAD/D-32</b>	144	144	52	70	135	1/4	✓	✓	✗	✗	✗	✗	✗	✗	✗	9
<b>SHAD/D-40</b>	196	196	65	114	170	1/4	✗	✓	✓	◆	✗	✗	✗	✗	✗	25
<b>SHAD/D-63</b>	196	196	65	114	172	1/4	✗	✗	✓	◆	✓	✗	✗	✗	✗	30
<b>SHAD/D-80</b>	275	275	90	160	260	1/4	✗	✗	✗	✗	◆◆	◆◆	✗	✗	✗	901
<b>SHAD/D-160</b>	275	275	145	170	263	1/4	✗	✗	✗	✗	◆◆	◆◆	◆◆	✗	✗	140
<b>SHAD/D-200</b>	264	264	198	228	402	1/4	✗	✗	✗	✗	✗	✗	◆◆	◆◆	◆◆	400

◆ Optional on request ◆◆ Specify when ordering