



VTM
Quarter Turn
Electric Actuator
35Nm - 5000Nm



The VTM series electric actuators are designed for quarter turn applications on Ball valves, Butterfly valves, Plug valves and Dampers.

Compact in design and offering various output torques, control options and a wide range of voltages to meet your required specifications.

High quality electrical components and alloy gearing ensure reliability and extended life span.

Approvals, Features & Benefits

- Base to ISO 5211 standards
- Weatherproof to IP67
- Handwheel Manual Override
- Aluminium Alloy housing
- Wide range of torques & options to meet the demands of any site specification
- Visual position indicator

Environment Temperature

-20 to +70°C

STANDARD SPECIFICATIONS

Enclosure	Weatherproof Enclosure IP67	Anti-condensation Heater	5W (110V,220VAC) 15W (24VDC)
Power Supply	110v AC (50/60z), 220v AC (50/60Hz), 24v DC, 440v AC 3ph 50/60Hz	Manual Override	Hand wheel (Self-contained)
Duty Cycle (on-off)	S2, 20%~50%, 10~30mins	Movement Angle	90° ± 5°
Duty Cycle (modulating)	S4, 30%~50%, 300~1200 times/hr	Housing Material	Polyester powder coated Aluminium Alloy
Motor	Induction Type Electric Motor, Class F	Terminal Block	Push Button
Limit Switches	1 each for open & close position, 1 each for feedback open & close position (250V,10A)	Case Colour	Blue
Torque Protection	Electronic torque protection device to monitor running current in motor		

ADDITIONAL DATA

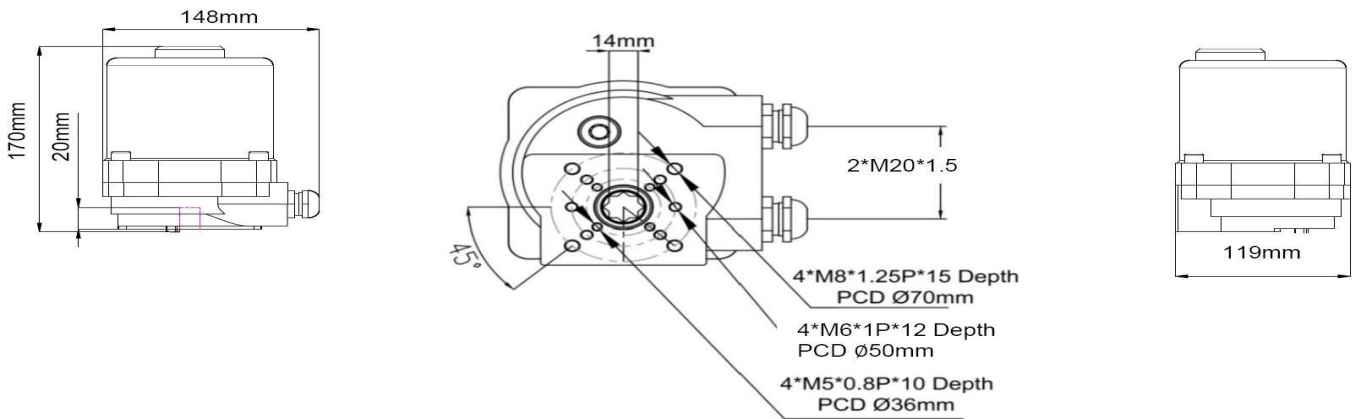
Model No.	Max.	Operating Time	Rated	Rated	Rated	Rated	Square Drive (mm)	ISO 5211 DIN 3337 Mounting	Unit Weight (Kg)
	Torque Output (Nm)	50 / 60Hz 90° (sec.)	Current (A) 24VDC	Current (A) 110VAC	Current (A) 220VAC	Current (A) 440VAC/3Ø			
VTM1S-35	35	12	1.2	0.4	0.3	/	14	F03/F05/F07	2.8
VTM1H-70	70	15	1.6	0.8	0.4	/	14	F03/F05/F07	3.2
VTM2H-100	100	8	3.5	0.73	0.33	0.21	17	F05/F07	11
VTM2-200	200	30	2.3	0.8	0.6	0.26	17	F05/F07/F10	12
VTM3-300	300	20	3	1.6	0.85	0.47	22	F07/F10	14
VTM3-400	400	30	3.6	1.9	0.9	0.47	22	F07/F10	14
VTM4-500	500	40	8.5	1.8	0.95	0.54	27	F10/F12	22
VTM4-800	800	48	8.5	1.8	0.95	0.54	27	F10/F12	22
VTM4-1000	1000	48	10.5	2	1.1	0.55	27	F10/F12	22
VTM5-1500	1500	35	/	4.8	2.8	1.1	36	F12/F14/16	50
VTM5-2300	2300	48	/	4.8	2.8	1.1	36	F12/F14/16	50
VTM5+G-4000	4000	81	/	4.8	2.8	1.5	36	F14/F16	81.9
VTM5+G-5000	5000	94	/	4.8	2.8	1.5	36	F14/F16	81.9

VTM

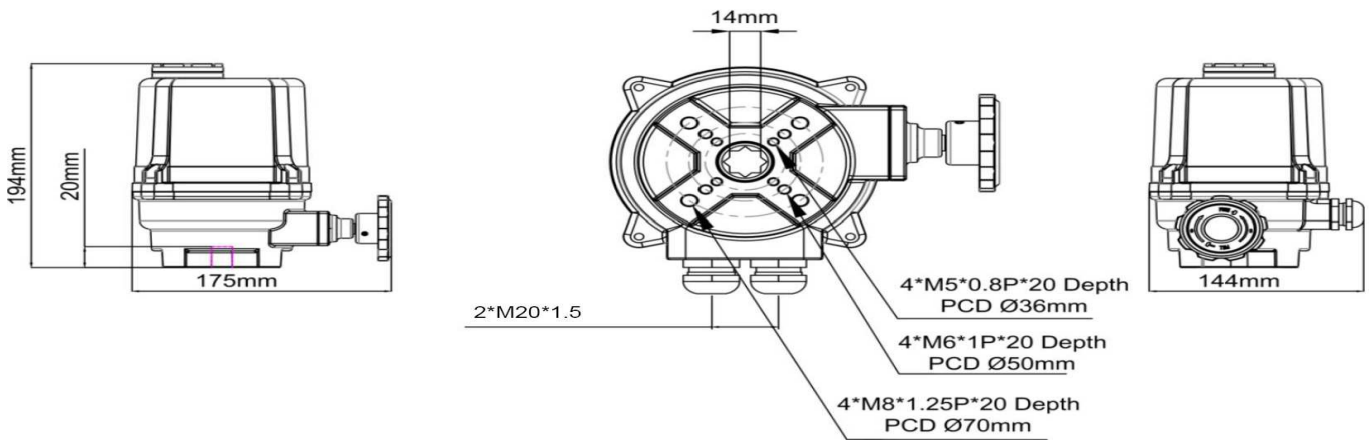
Quarter Turn
Electric Actuator
35Nm - 5000Nm



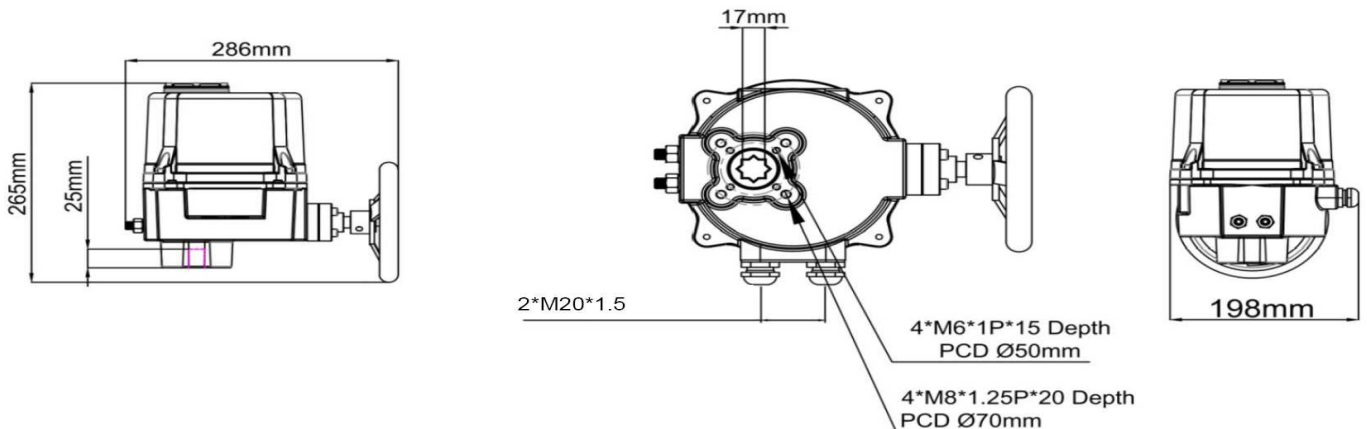
VTM1S Dimensions (mm)



VTM1H Dimensions (mm)



VTM2H Dimensions (mm)

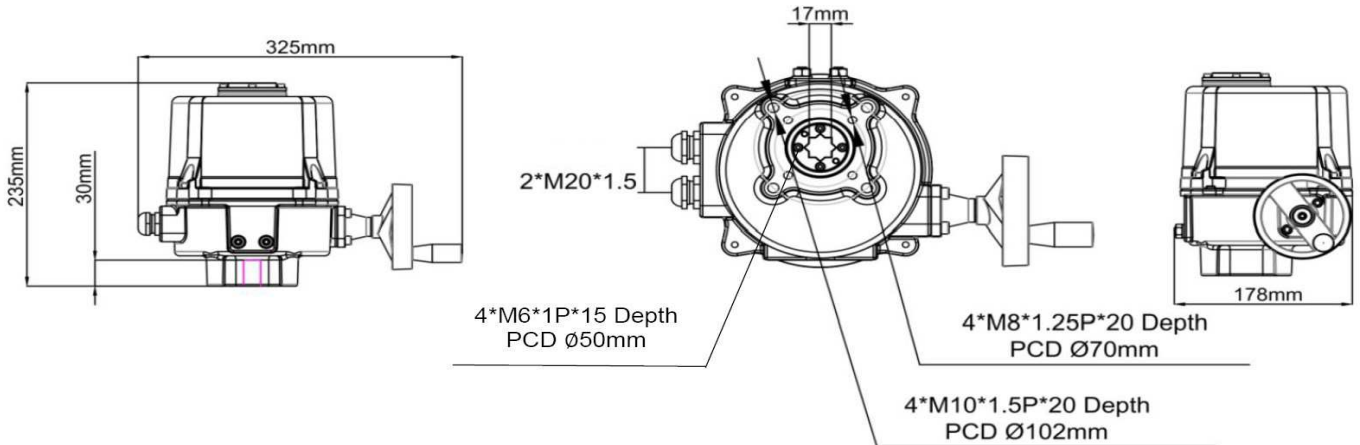


VTM

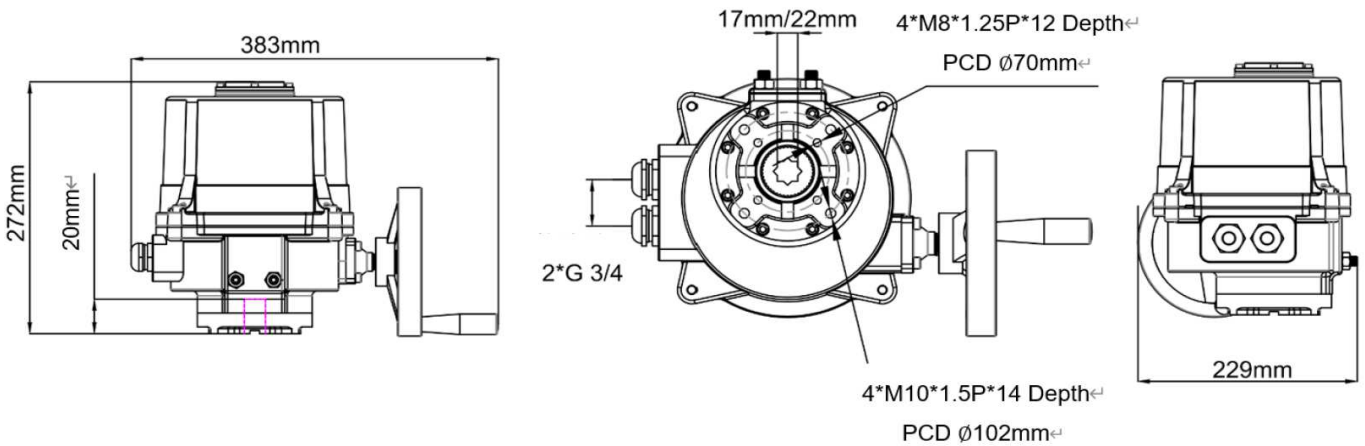
**Quarter Turn
Electric Actuator
35Nm - 5000Nm**



VTM2 Dimensions (mm)

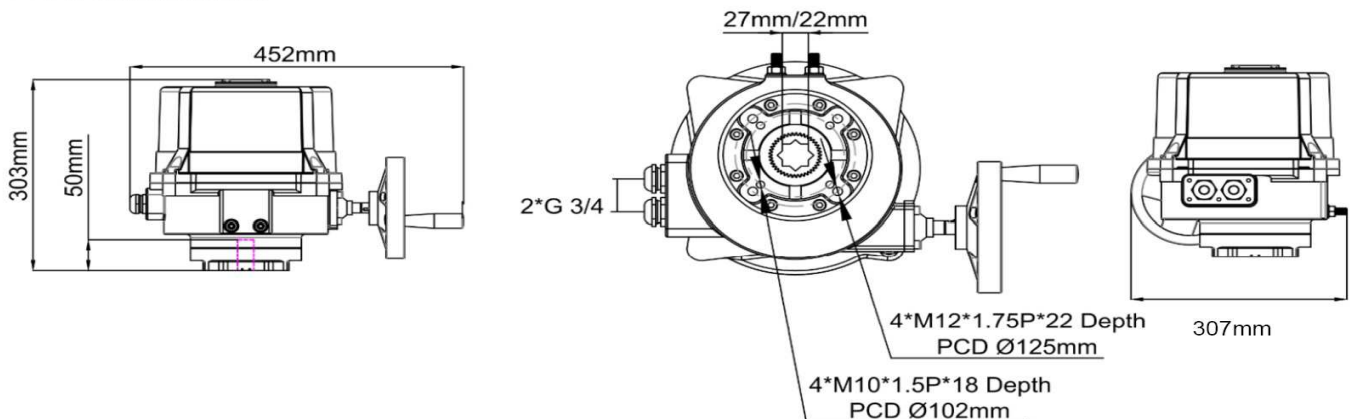


VTM3 Dimensions (mm)



VTM4 Dimensions (mm)

*F14 is also available.

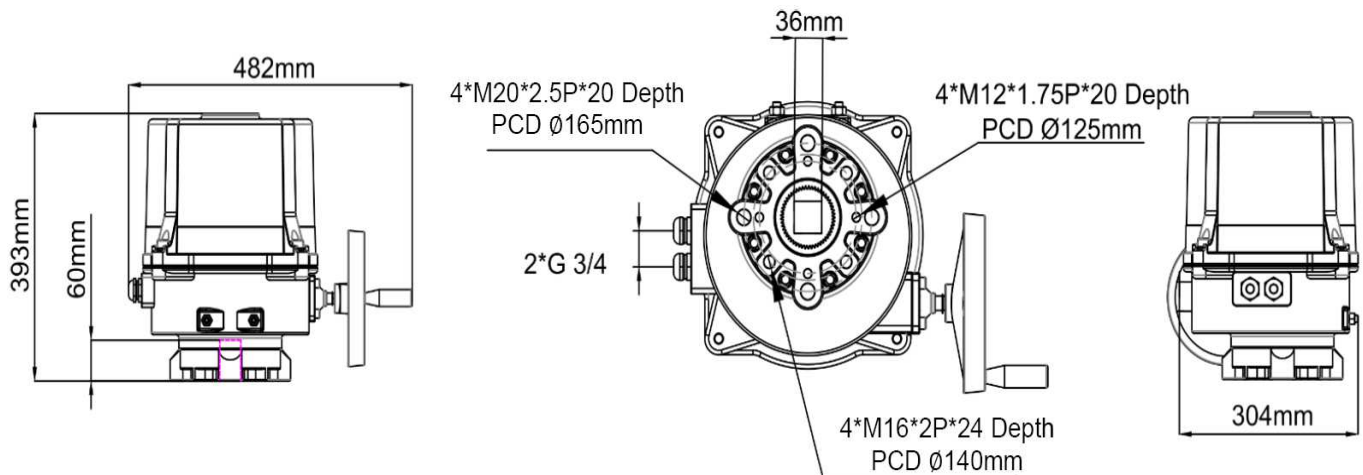


VTM

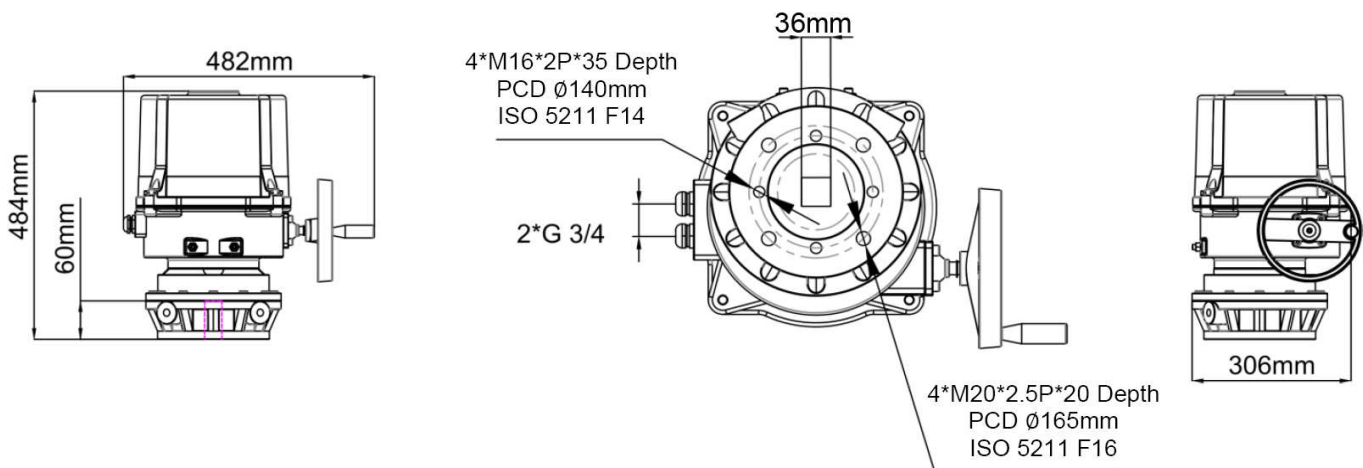
Quarter Turn
Electric Actuator
35Nm - 5000Nm



VTM5 Dimensions (mm)



VTM5+G Dimensions (mm)



ACTUATOR OPTIONS

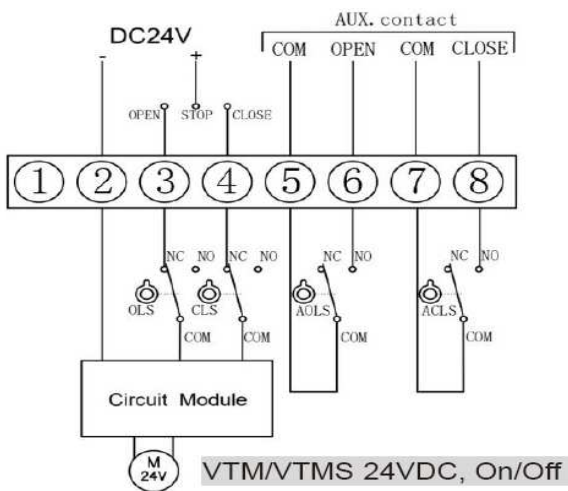
Ex	Anti-Explosive Exd IIC T6Gb
ATS	Over-torque protection output (1pc)
ALS	Auxiliary limit switch (up to 4pcs)
PK	Potentiometer unit (0~1KΩ)
CT	Position current feedback (4~20mA)
RPC	Input/output 4~20mA, 0~10V, etc.
ICM	LCD display, field operation unit

VTM

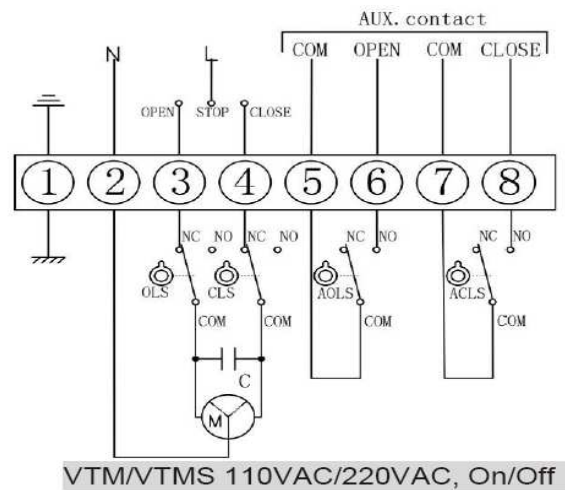
Quarter Turn
Electric Actuator
35Nm - 5000Nm



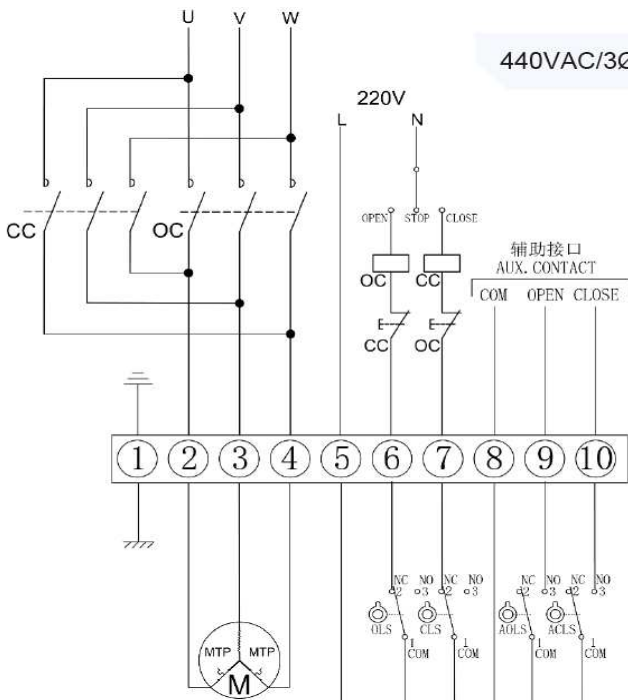
VTM Wiring Diagram (on-off Type)



- ② - ③: open control
- ② - ④: close control
- ⑤ - ⑥: full-open switch output
- ⑦ - ⑧: full-close switch output



- ①: GND
- ② - ③: open control
- ② - ④: close control
- ⑤ - ⑥: full-open switch output
- ⑦ - ⑧: full-close switch output



- ① : GND
- ② - ③ - ④: power supply for 440VAC/3Ø
- ⑤ - ⑥: open control (220VAC)
- ⑤ - ⑦: close control (220VAC)
- ⑧ - ⑨: full-open switch output
- ⑧ - ⑩: full-close switch output

OC: contactor (open)
CC: contactor (close)