

R-2361 Resilient Wedge Gate Valve

OS&Y: 2" – 12" / DN50 – DN300

Mueller Co.

Image shown with
2" – 6"/DN50 – DN150
bonnet/yoke combo.
8" – 12"/DN200 – DN300
bonnet and yoke are
two pieces. Contact
Mueller Co. for option
details.

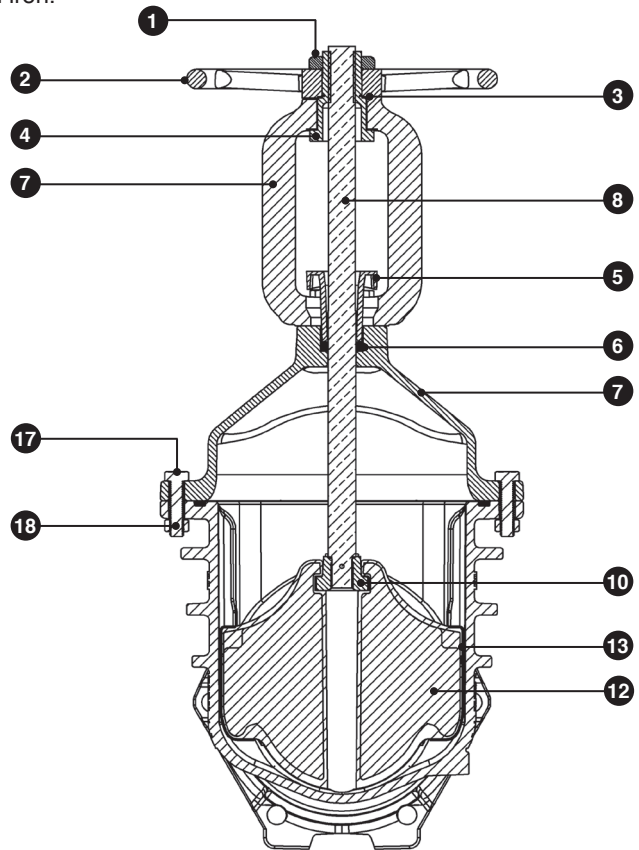


PRODUCT FEATURES

- Outside Screw & Yoke (OS&Y).
- Iron Body, Bonnet, and Yoke.
- Mueller Pro-Gard® Fusion Bonded Epoxy Coating covers all cast surfaces inside and out – 10 mils (250 μ) nominal. Meets requirements of AWWA / ANSI C550.
- Meets requirements of AWWA / ANSI C515 and is certified to ANSI / NSF 61 & 372.
- Iron wedge, symmetrical and fully encapsulated with molded rubber; no exposed iron.
- Polymer cap bearings on wedge guides resist wear and provide easy operation.
- Bi-directional flow.
- 10-year limited warranty.
- 2" – 12"/DN50 – DN300: 350 psig / 24 barg AWWA / UL / FM WP, 700 psig / 48 barg TP.
- UL 262 listed, FM 1120 / 1130 approved.
- Flange End drilling meets: ANSI B16.1, Class 125 and ANSI B16.42, Class 150 Flat Face. Optional PN10, PN16 drilling.

PARTS LIST

ID	PART NAME	MATERIAL	
1	Cap Nut	Bronze ASTM B62 / B584	
2	Handwheel	Ductile Iron ASTM A536	
3	Thrust Washer	Brass	
4	Bush Nut	Bronze ASTM B62	
5	Gland Flange	Ductile Iron ASTM A536	
6	Stem Packing*	Lube Flax	
7	Bonnet / Yoke	Ductile Iron ASTM A536 (See Note 1)	
8	Stem (See Note 2)	Manganese Bronze ASTM B138 (C67600)	
		Silicon Bronze ASTM B98 (C66100)	
		304 Stainless Steel	ASTM A276
		316 Stainless Steel	
9	O-Ring	Nitrile ASTM D2000	
10	Wedge Nut	Bronze ASTM B584	
11	Pin, Type E	304 Stainless Steel	
12	Wedge	(See Note 3)	
13	Guide Cap	Acetal	
14	Bonnet Gasket	Nitrile ASTM D2000	
15	Body	Ductile Iron ASTM A536	
16	Gland Bolt	316 Stainless Steel ASTM F593	
17	Bonnet Bolt	316 Stainless Steel ASTM F593	
18	Bonnet Nut	316 Stainless Steel ASTM F594	
19	Gland Nut	Silicon Bronze ASTM B98	



NOTES:

1. 2" – 6"/DN50 – DN150 Bonnet and Yoke are one piece.
2. Standard Stem is Manganese Bronze ASTM B138 (C67600). Other Stem Material options available to special order.
3. Rubber Encapsulated Ductile Iron Wedge Rubber – SBR ASTM D2000.

*STEM PACKING INFORMATION

Valve Size	2"/DN50, 2½"/DN65, 3"/DN80	4"/DN100	6"/DN150	8"/DN200	10"/DN250	12"/DN300
Part No. / Quantity	175972 / 4	176477 / 4	170712 / 4	175937 / 4	175975 / 4	170749 / 3
Size – inches (mm)	¼ (6) x 3⅝ (92)	¼ (6) x 4¼ (108)	⅝ (8) x 4¾ (121)	⅝ (8) x 5⅛ (130)	⅝ (8) x 5½ (133)	¾ (10) x 6⅜ (161)

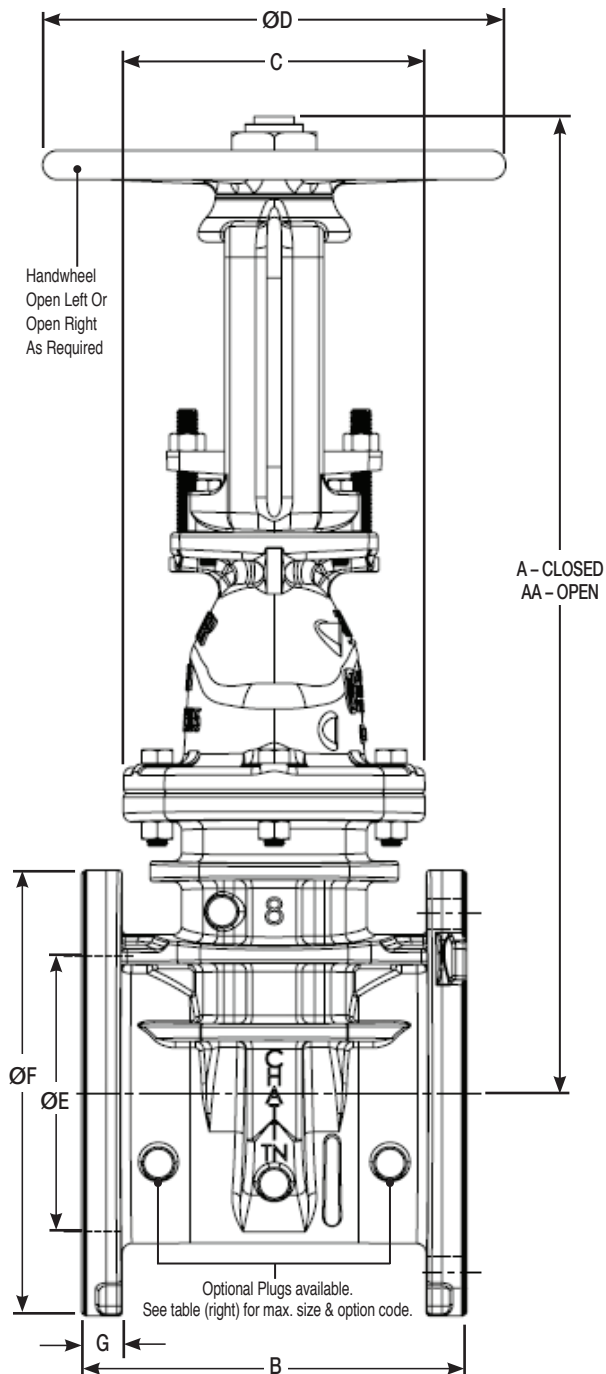


Mueller Co. International Division • 1200 Abernathy Road, NE, Suite 1200 • Atlanta, Georgia 30328 USA
p +1.423.490.9555 • f +1.423.531.0033 • international@muellercompany.com • mueller-international.com

Form 12996 – Rev 06/18

R-2361 Resilient Wedge Gate Valve

OS&Y: 2" – 12"/DN50 – DN300



DIMENSIONS – Inches (mm)

Valve Size	A-Closed	AA-Open	B	C*
2"/DN50	14.09 (357)	16.69 (424)	7.00 (178)	7.02 (178)
2½"/DN65	15.91 (404)	19.56 (497)	7.50 (191)	8.63 (219)
3"/DN80	15.66 (398)	19.31 (490)	8.00 (203)	8.63 (219)
4"/DN100	19.00 (483)	23.68 (601)	9.00 (229)	10.79 (274)
6"/DN150	24.50 (622)	31.38 (797)	10.50 (267)	13.50 (343)
8"/DN200	29.50 (749)	38.50 (978)	11.50 (292)	16.36 (416)
10"/DN250	35.75 (908)	47.00 (1194)	13.00 (330)	19.99 (508)
12"/DN300	40.50 (1028)	53.50 (1359)	14.00 (356)	21.00 (533)

Valve Size	ØD	ØE Thru Ø	ØF	G
2"/DN50	7.00 (178)	2.30 (58)	6.00 (152)	0.68 (17)
2½"/DN65	7.00 (178)	2.80 (71)	7.00 (178)	0.75 (19)
3"/DN80	7.00 (178)	3.30 (84)	7.50 (191)	0.80 (20)
4"/DN100	10.00 (254)	4.31 (109)	9.00 (229)	1.03 (26)
6"/DN150	12.00 (305)	6.30 (160)	11.00 (279)	1.07 (27)
8"/DN200	14.00 (356)	8.30 (211)	13.50 (343)	1.19 (30)
10"/DN250	16.00 (406)	10.30 (262)	16.00 (406)	1.29 (33)
12"/DN300	16.00 (406)	12.30 (312)	19.00 (483)	1.35 (34)

*C dimension is the overall width of the bonnet flange.

OPTIONAL PLUGS

Valve Size	R2361 Max. Tap Size
2"/DN50	¾" (19)
2½"/DN65	½" (13)
3"/DN80	½" (13)
4"/DN100	¾" (19)
6"/DN150	1" (25)
8"/DN200	1¼" (32)
10"/DN250	1¼" (32)
12"/DN300	2" (50)

Option No.	Tap Size
0008	½" (13)
0249	¾" (19)
0062	1" (25)
0355	¾" (19)
0070	1¼" (32)
0366	1½" (38)

WEIGHT – lb. (kg)

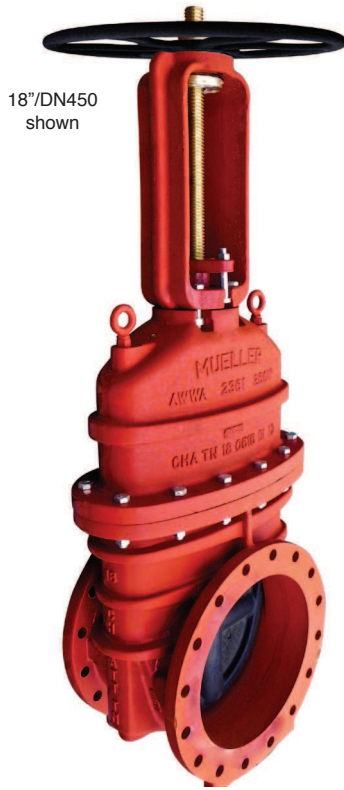
Valve Size	2"/DN50	2½"/DN65	3"/DN80	4"/DN100	6"/DN150	8"/DN200	10"/DN250	12"/DN300
Weight	41 (19)	64 (29)	65 (29)	96 (44)	150 (68)	230 (104)	348 (158)	477 (216)



Copyright © 2017 Mueller Co., LLC. All Rights Reserved. The trademarks, logos and service marks displayed in this document herein are the property of Mueller Co., LLC, its affiliates or other third parties. Products marked with a section symbol (§) are subject to patents or patent applications. For details, visit www.mwppat.com. These products are intended for use in potable water applications. Please contact your Mueller Sales or Customer Service Representative concerning any other application(s).

R-2361 Resilient Wedge Gate Valve

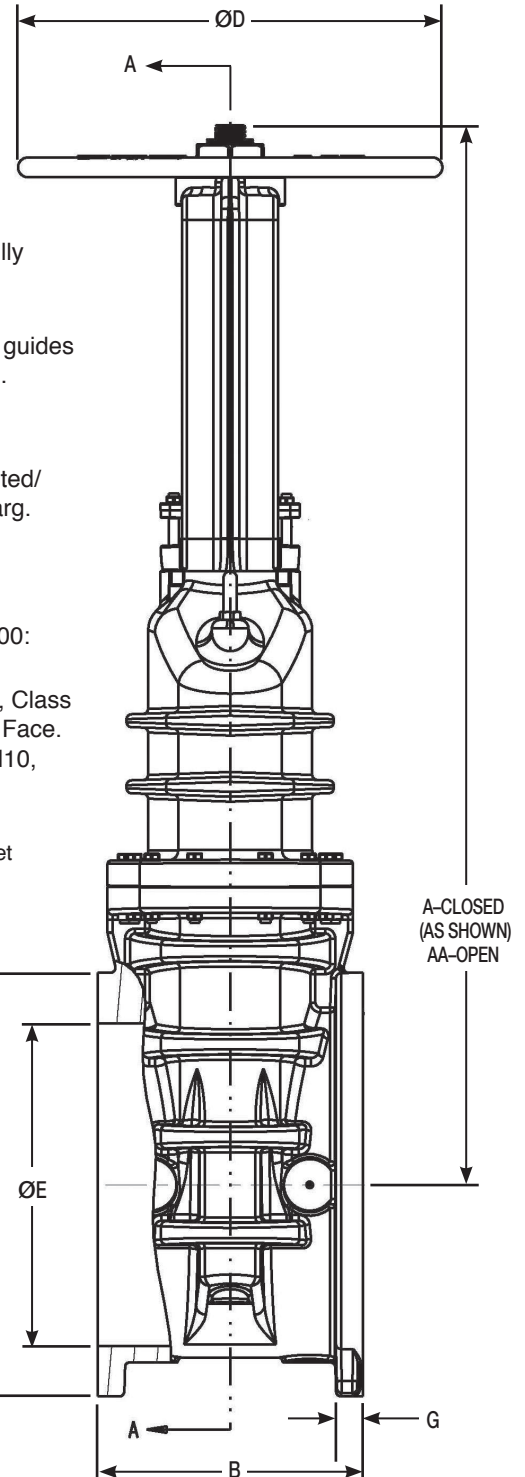
OS&Y: 14" – 24"/DN350 – DN600

Mueller Co.18"/DN450
shown

PRODUCT FEATURES

- Outside Screw & Yoke (OS&Y).
- 14" – 24"/DN350 – DN600*.
- Mueller Pro-Gard® Fusion Bonded Epoxy Coating inside and out covers all cast surfaces (10 mil /250 μ nominal). Meets requirements of AWWA/ANSI C550.
- Meets requirements of AWWA/ANSI C515 and is certified to ANSI/NSF 61 & 372.
- Ductile Iron wedge, symmetrical and fully encapsulated with molded rubber; no exposed iron.
- Polymer guide cap bearings on wedge guides resist wear and provide easy operation.
- Bi-directional flow.
- 10-year limited warranty.
- 14" & 16"/DN350 & DN400: UL 262 Listed/ FM 1120/1130 Approved 250psig/17barg.
- 18" – 24"/DN450 – DN600: UL 262 Listed 175psig/12barg, FM Approved 250psig/17barg.
- AWWA C-515 14" – 24"/DN350 – DN600: 250psig/17barg.
- Flange End drilling meets: ANSI B16.1, Class 125 and ANSI B16.42, Class150 - Flat Face. 14" & 16"/DN350 & DN400 optional PN10, PN16 drilling.

*Resilient Wedge OS&Y Valves with similar performance and features, but different bonnet construction and bolting are available in 2" – 12"/DN50 – DN300 sizes, model R-2361.



Valve Size	Weight - lbs (kg)
14"/DN350	775 (352)
16"/DN400	960 (435)
18"/DN450	1657 (752)
20"/DN500	2239 (1016)
24"/DN600	2899 (1315)

DIMENSIONS – Inches (mm)

Valve Size	A-Closed	AA-Open	B	C*
14"/DN350	49.13 (1248)	64.09 (1628)	15.06 (383)	24.92 (633)
16"/DN400	54.63 (1387)	71.19 (1808)	16.06 (408)	26.58 (675)
18"/DN450	67.82 (1723)	87.81 (2230)	17.00 (432)	30.50 (775)
20"/DN500	75.56 (1843)	94.35 (2396)	18.00 (457)	33.75 (857)
24"/DN600	82.42 (2093)	108.19 (2748)	20.00 (508)	39.50 (1003)

Valve Size	ØD	ØE Thru Ø	ØF	G
14"/DN350	18.00 (457)	14.38 (365)	21.00 (533)	1.42 (36)
16"/DN400	18.00 (457)	16.00 (406)	23.50 (597)	1.05 (27)
18"/DN450	32.00 (813)	18.38 (467)	25.00 (635)	1.05 (27)
20"/DN500	32.00 (813)	20.38 (518)	27.50 (698)	1.78 (45)
24"/DN600	32.00 (813)	24.38 (619)	32.00 (813)	1.25 (32)

*C dimension is the overall width of the bonnet flange.

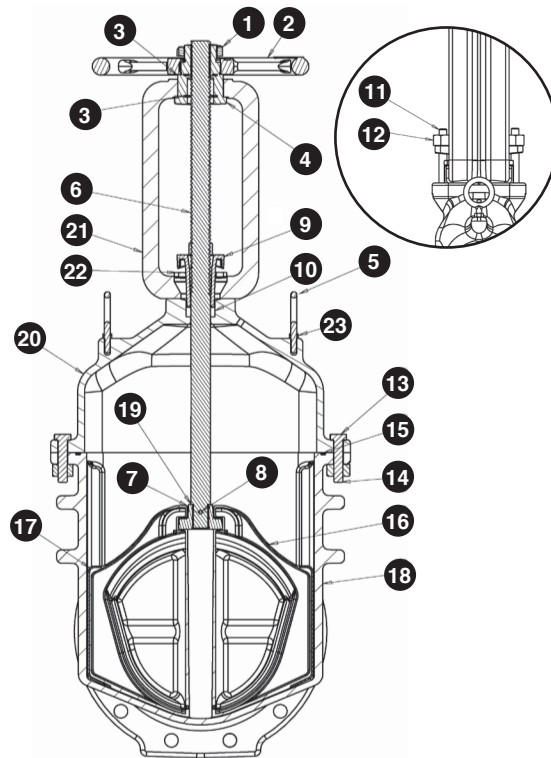
R-2361 Resilient Wedge Gate Valve

OS&Y: 14" – 24"/DN350 – DN600



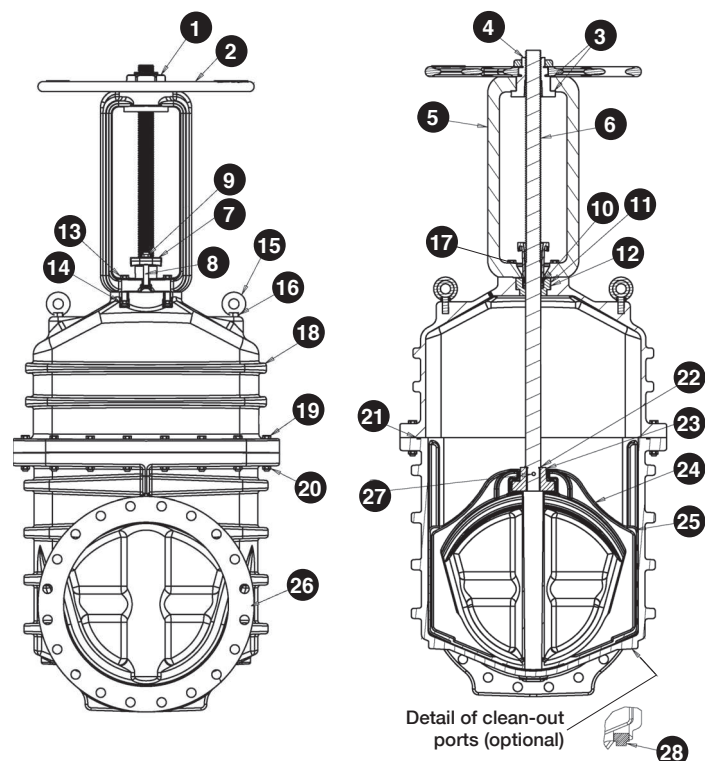
14" & 16"/DN350 & DN400 PARTS LIST

ID	PART NAME	MATERIAL
1	Cap Nut	Bronze ASTM B62
2	Handwheel	Cast Iron ASTM A126
3	Washer	Brass ASTM B36
4	Bush Nut	Bronze ASTM B584
5	Eyebolt	Forged Steel
6	Stem	Bronze ASTM B138 (C67600)
7	Disc Nut	Bronze ASTM B62
8	Pin	304 Stainless Steel
9	Gland Flange	Ductile Iron ASTM A536
10	Stem Packing	Lube Flax
11	Gland Bolt	316 Stainless Steel
12	Gland Nut	Silicon Bronze ASTM B98
13	Bonnet Bolt	316 Stainless Steel
14	Bonnet Nut	316 Stainless Steel
15	O-Ring	Nitrile ASTM D2000
16	Disc Rubber/Disc Casting	SBR ASTM D2000/Ductile Iron A536
17	Guide Cap	Acetal
18	Body	Ductile Iron ASTM A536
19	O-Ring	Nitrile ASTM D2000
20	Bonnet	Ductile Iron ASTM A536
21	Yoke	Cast Iron ASTM A126
22	Cap Screw	Carbon Steel ASTM A307
23	Hex Nut	Steel ASTM A563



18" – 24"/DN450 – DN600 PARTS LIST

ID	PART NAME	MATERIAL
1	Cap Nut	Bronze ASTM B62
2	Handwheel	Ductile Iron ASTM A536
3	Thrust Washer	Brass ASTM B36
4	Bush Nut	Bronze ASTM B584
5	Yoke	Ductile Iron ASTM A536
6	Stem	Bronze B584 (C86400)
7	Gland Flange	Ductile Iron ASTM A536
8	Gland Bolt	316 Stainless Steel
9	Gland Nut	Silicon Bronze ASTM B98
10	Stem Packing	Lube Flax
11	Bonnet Bushing	Bronze ASTM B62
12	Bushing O-Ring	EPDM ASTM D2000
13	Yoke Bolt	316 Stainless Steel
14	Yoke Nut	316 Stainless Steel
15	Eyebolt	Steel
16	Eyebolt Nut	316 Stainless Steel
17	Cap Screw	Carbon Steel ASTM A307
18	Bonnet	Ductile Iron ASTM A536
19	Bonnet Bolt	316 Stainless Steel
20	Bonnet Nut	316 Stainless Steel
21	Bonnet O-Ring	EPDM ASTM D2000
22	Stem O-Ring	EPDM ASTM D2000
23	Disc Nut	Bronze ASTM B62
24	Disc	EPDM/Ductile Iron ASTM A563
25	Guide Cap	Acetal
26	Body	Ductile Iron ASTM A536
27	Pin	304 Stainless Steel
28	Pipe Plug	316 Stainless Steel



Copyright © 2017 Mueller Co., LLC. All Rights Reserved. The trademarks, logos and service marks displayed in this document herein are the property of Mueller Co., LLC, its affiliates or other third parties. Products marked with a section symbol (§) are subject to patents or patent applications. For details, visit www.mwppat.com. These products are intended for use in potable water applications. Please contact your Mueller Sales or Customer Service Representative concerning any other application(s).